



● NEW PRODUCT CATALOGUE

Professional lighting solutions

Unique and extraordinary

Elegant and generous



DongGuan Emilux Lighting Technology Ltd

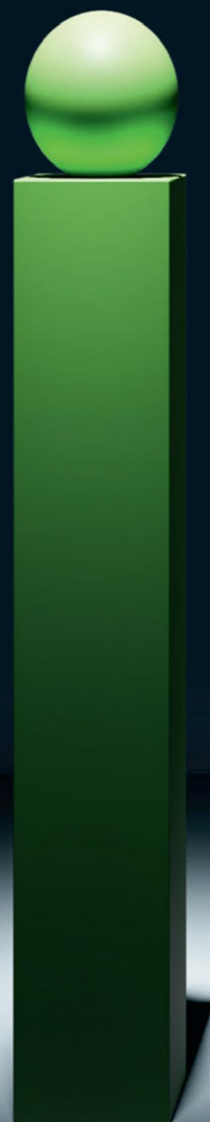
Add; A Building, No.1 GuanHuang north Rad, Gaobu Town,
Dongguan city, Guangdong province, China, 523275

E-mail: sales@emiluxled.com

<https://www.emiluxled.com>

Contents

Mini Spot Lights	■
Project Spot Lights	■
Classic Spot Lights	■
Pro Hotel Spot Lights	■
Hotel Spot Lights	■
Recessed Spot Lights	■
SMD Down Lights	■
Waterproof Down Lights	■
Gimbal Down Lights	■
Celling-Mounted Down Lights	■
Track Light	■
Adjustable Recessed Linear mini spot light	■





EMILUX-LIGHTING YOUR LIFE!

EMILUX was found 2016 which is a LED commercial lighting manufacturer in Dongguan city, China

Emilux has been inspiring it' s customers with high-quality and individual lighting solutions-because light is our passion.

Our mission is:build a first-class enterprise,creater a century-old brand,achieve brad efficiency,integrity cast the future!

This includes not only innovative luminaires but also perfectly matched lighting solutions for offices,industry,healthcare,education,retail and sports.

We main offer LED down light,LED track light,LED ceiling light and LED liner light OEM&ODM and our own brand products designing,development and productiong,and also lighting project products solutions.

At EMILUX we know that the perfect luminaire alone is not enough.

The right light depends on the whole:an optimal,balanced lit environment.

Whether in individual rooms,in building complexes or outside aress-our individual advice and planning asistance is the key to holistic,tailor-made lighting solutions that save energy and thus costs.

Do our best to realise your dream
that is why we are here

Emilux[®]

www.emiluxled.com

Lighting System Integration Supplier

Emilux[®] lighting



● Product Index

Mini Spot Light



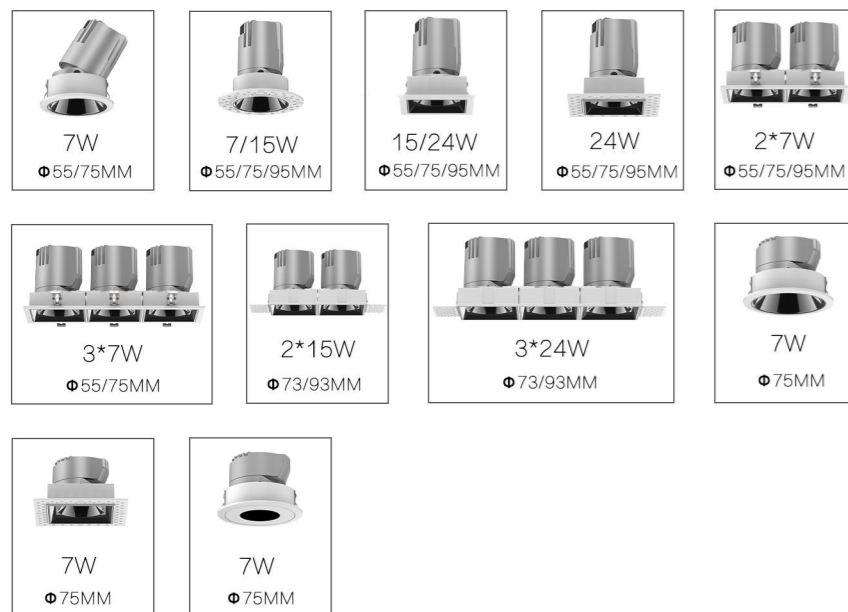
Project Spot Lights



Classic Spot Lights



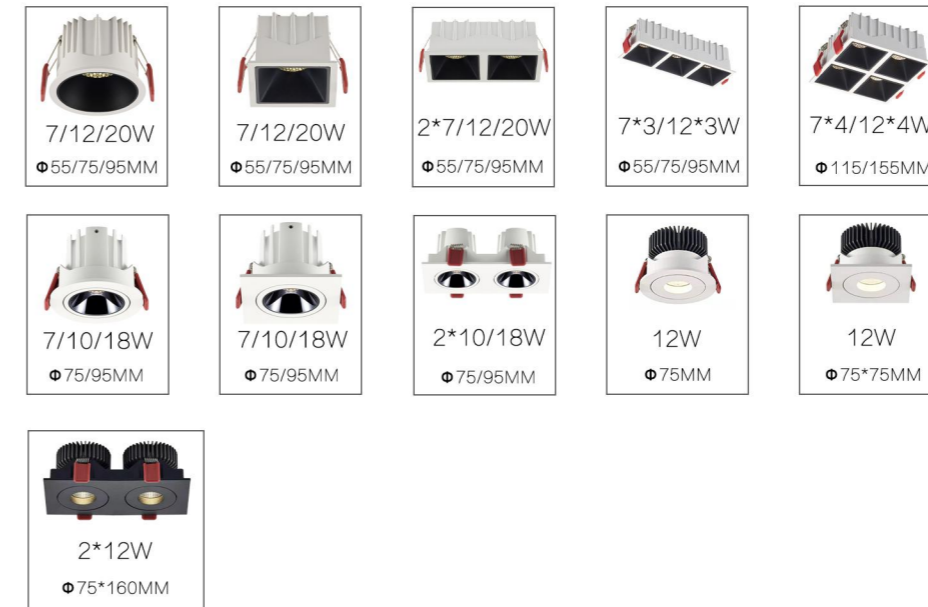
Pro Hotel Spot Lights



Hotel Spot Lights



Recessed Spot Lights

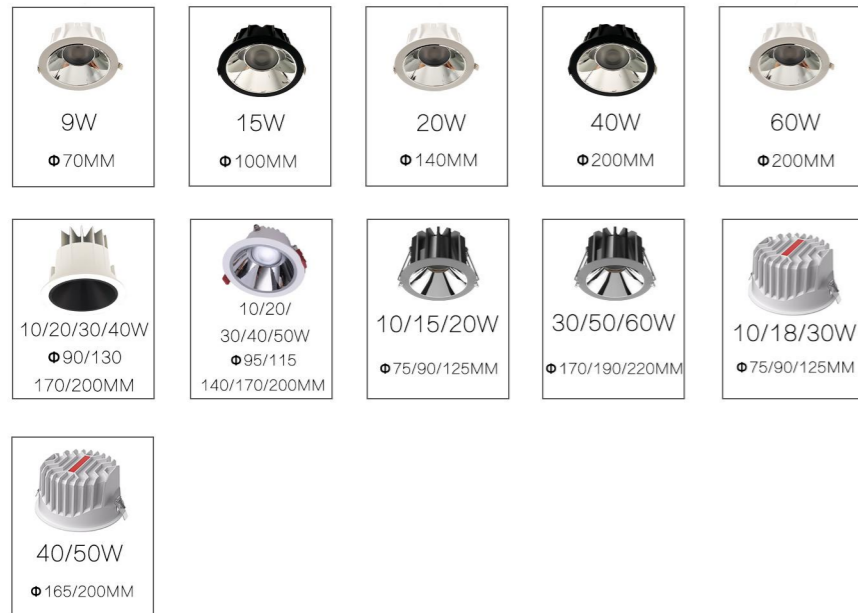


SMD DownLight (3CCT)



● Product Index

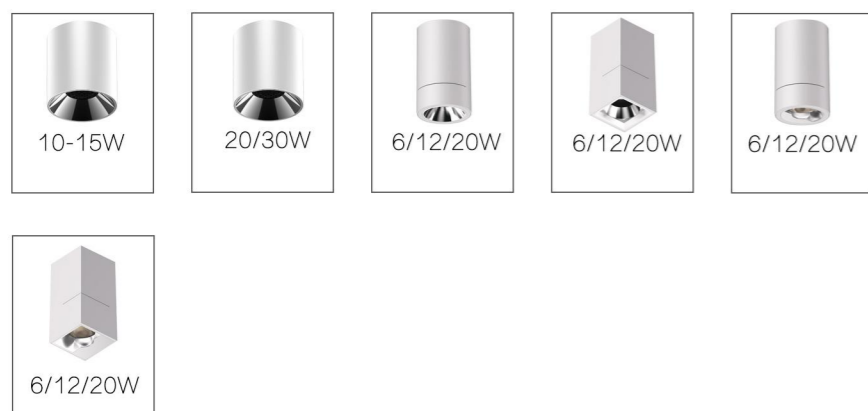
Waterproof DownLight



Gimbal DownLight



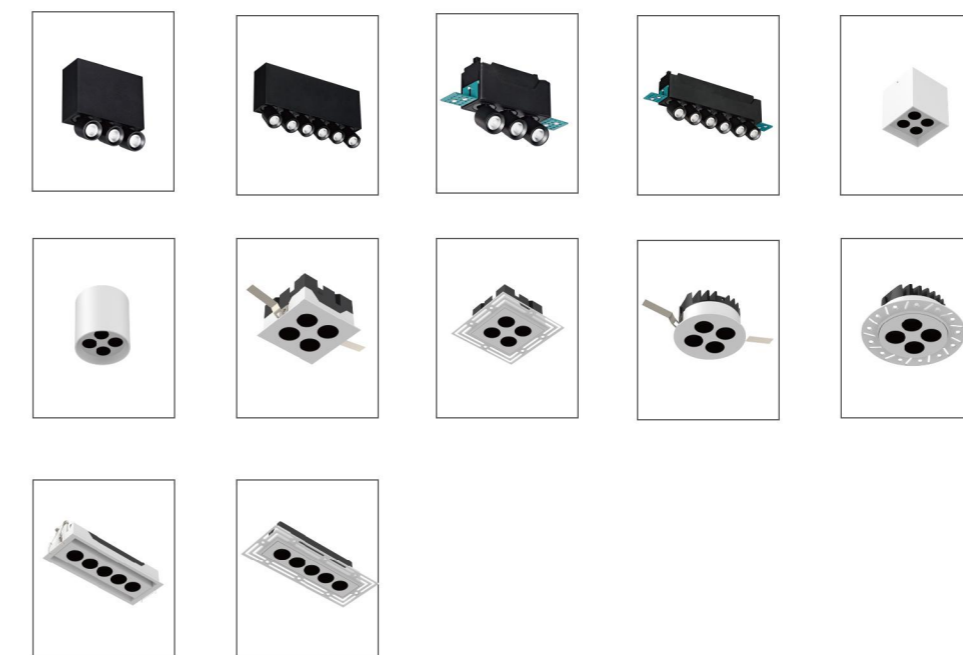
Ceiling-Mounted DownLights



Track Light



Adjustable Recessed Linear mini spot light



Phantom Mini Spot Light

Elegant mini spot light application

- Hotel front eaves,
- Cabinet,
- Restaurant
- Jewelry display

Narrow beam angle with different color





• Cut out: 30mm

• Cut out: 40mm

• Cut out: 50mm

• 3W

• 5W

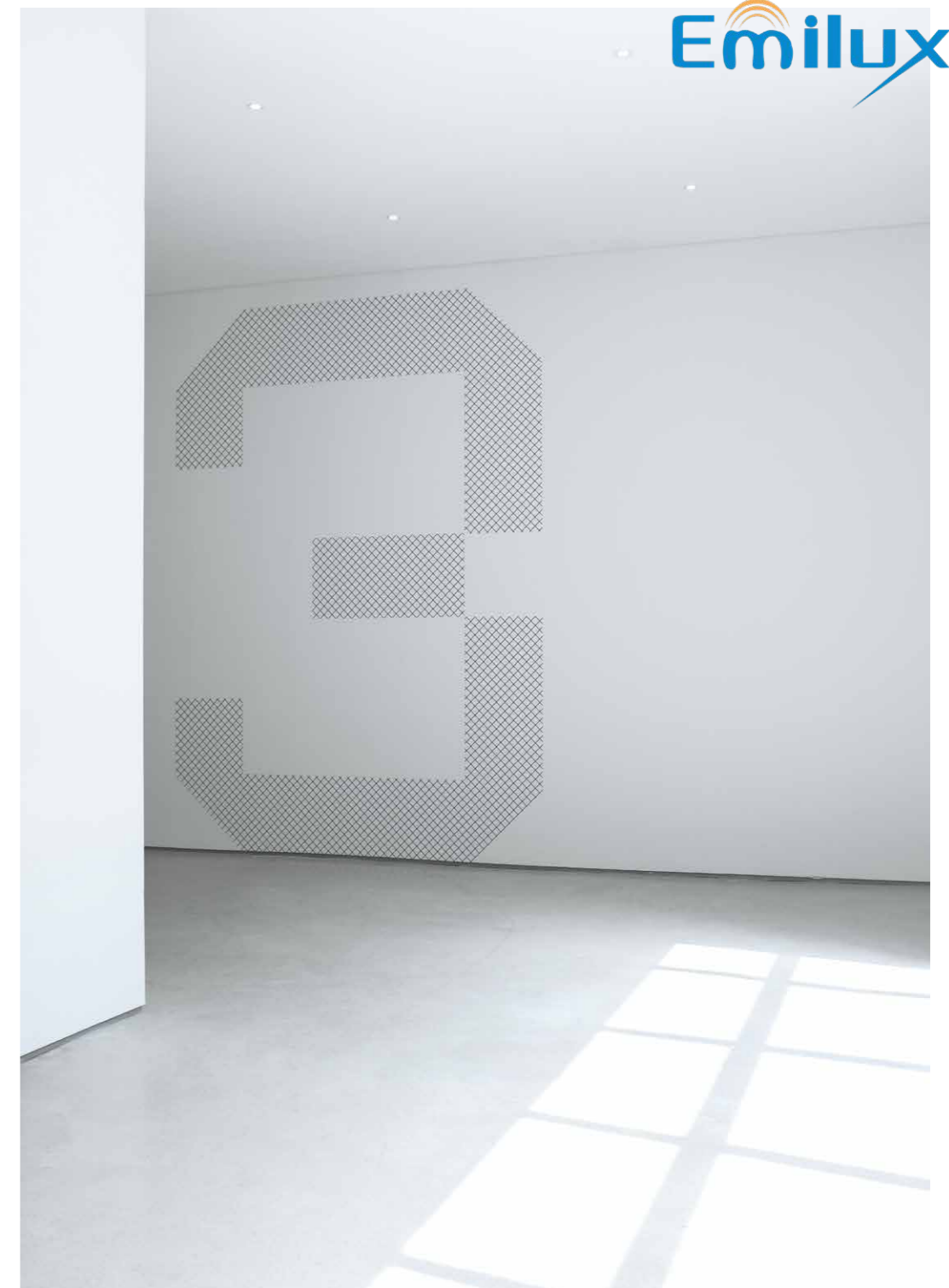
• 7W



Model No	Wattage	Driver	Beam angle	Cut out	LED Source	SDCM	Input Voltage	CCT
ES1001	3W	Lifud/eaglerise	15/24/40°	30mm	Bridgelux	<3	AC220-240V	2700K/3000K 4000K/5000K
ES1002	5W	Lifud/eaglerise	15/24/40°	40mm	Bridgelux	<3	AC220-240V	2700K/3000K 4000K/5000K
ES1003	7W	Lifud/eaglerise	15/24/40°	50mm	Bridgelux	<3	AC220-240V	2700K/3000K 4000K/5000K

ES1004	3W	Lifud/eaglerise	15/24/40°	30mm	Bridgelux	<3	AC220-240V	2700K/3000K 4000K/5000K
ES1005	5W	Lifud/eaglerise	15/24/40°	40mm	Bridgelux	<3	AC220-240V	2700K/3000K 4000K/5000K
ES1006	7W	Lifud/eaglerise	15/24/40°	50mm	Bridgelux	<3	AC220-240V	2700K/3000K 4000K/5000K

- ◆ This product is set to be used in our existing indoor lighting
- ◆ Extremely simple and fast lighting mode, reducing the proportion of lamps to ceiling
- ◆ The actual best simplicity of ceiling, reducing the area occupied by lamps in ceiling



Phantom

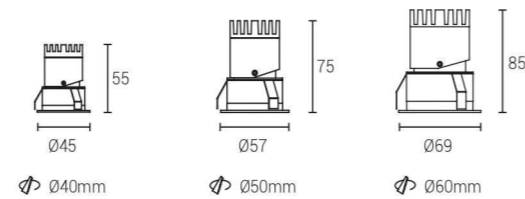
3W/5W/7W

φ30mm/φ40mm/φ50mm

Mini spot lights



Optional :

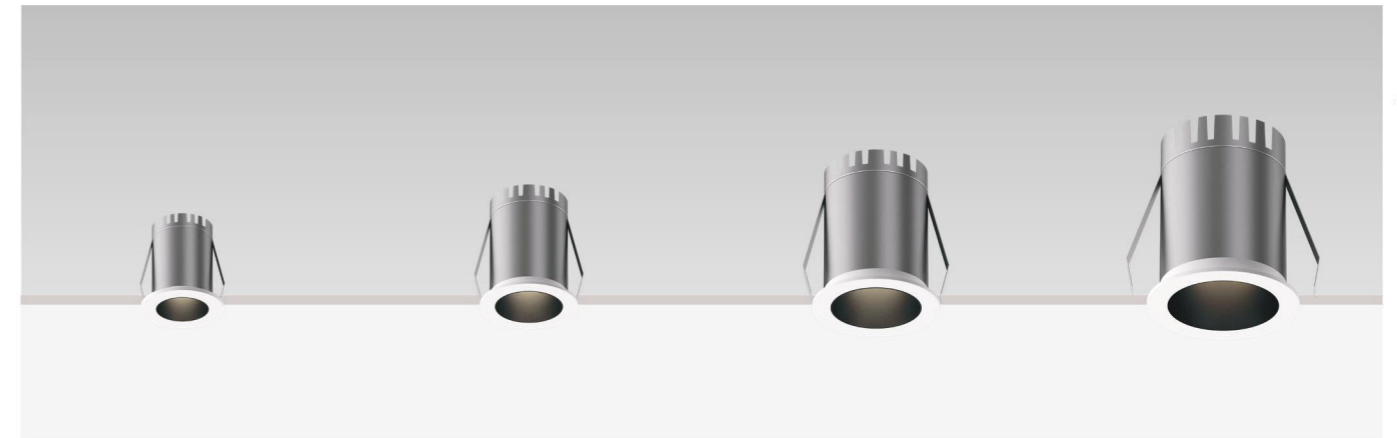


Model No	Wattage	Driver	Beam angle	Cut out	LED Source	SDCM	Input Voltage	CCT
ES1011	3W	Lifud/eaglerise	15/24/40°	40mm	CREE3535	<3	AC220-240V	2700K/3000K 4000K/5000K
ES1012	5W/7W	Lifud/eaglerise	15/24/40°	50mm	Bridgelux	<3	AC220-240V	2700K/3000K 4000K/5000K
ES1013	9W	Lifud/eaglerise	15/24/40°	60mm	Bridgelux	<3	AC220-240V	2700K/3000K 4000K/5000K

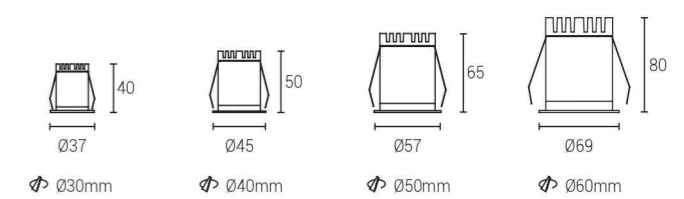
Features

- Easy to install
- Long lifespan
- Clean beam angle
- Four different colors

Application



Optional :



Model No	Wattage	Driver	Beam angle	Cut out	LED Source	SDCM	Input Voltage	CCT
ES1007	3W	Lifud/eaglerise	15/24/40°	30mm	Bridgelux	<3	AC220-240V	2700K/3000K 4000K/5000K
ES1008	5W	Lifud/eaglerise	15/24/40°	40mm	Bridgelux	<3	AC220-240V	2700K/3000K 4000K/5000K
ES1009	7W	Lifud/eaglerise	15/24/40°	50mm	Bridgelux	<3	AC220-240V	2700K/3000K 4000K/5000K
ES1010	9W	Lifud/eaglerise	15/24/40°	60mm	Bridgelux	<3	AC220-240V	2700K/3000K 4000K/5000K

Features

- Easy to install
- Long lifespan
- Clean beam angle
- Four different colors

Application







- Scorpio Project Spot Lights

Emilux®



6W/10/15W



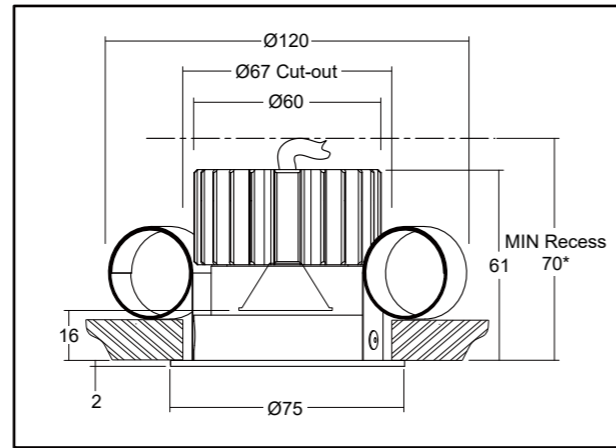
6W/10/15W



6W/10/15W

High end design lights can
satisfy different perfect projects



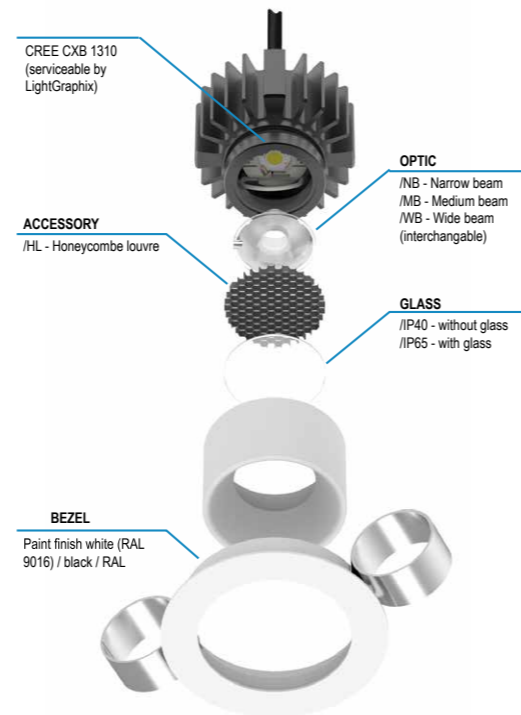


Scorpio

ES2001 ES2002 ES2003

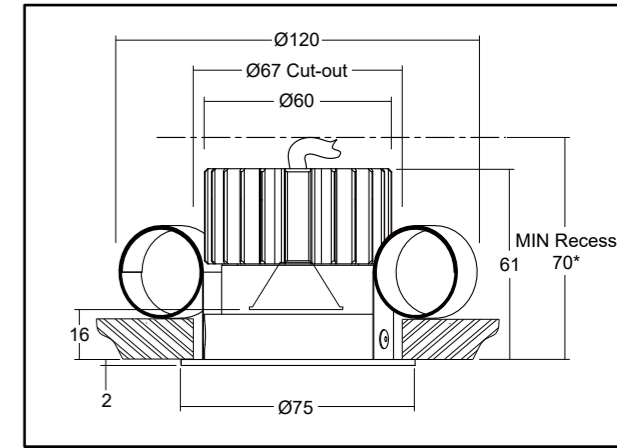
Key Features

- Designed for external applications including boats/marine environments
 - High quality machined stainless steel 316 and anodised aluminium components
 - Designed for ceilings with a minimal recess depth - only 70mm recess
 - Inner baffle is supplied as gun metal grey as standard
 - High power 900lm output
 - 93 CRI Cree LED
 - Recessed LED and optic for reduced glare
 - Single optic produces a very consistent beam, no multiple shadows
 - Compact design ensures it fits into most project styles
 - IP67 as standard
 - Constant force springs make this fitting suitable for delicate mounting surfaces
- Available with Switch, 0-10V, DMX, Dali or Mains dimmable drivers



Specification

Wattage	LED Source	UGR	CRI	CCT	Input Voltage	Cut out	Driver	Size	Beam Angle
6W	Bridgelux	<10	≥90	2700/3000/4000/5000K	AC220-240v	Ø68/70	Lifud/eaglerise	Ø75*40	18/25/40°
10W	Bridgelux	<10	≥90	2700/3000/4000/5000K	AC220-240v	Ø68/70	Lifud/eaglerise	Ø75*40	18/25/40°
15W	Bridgelux	<10	≥90	2700/3000/4000/5000K	AC220-240v	Ø68/70	Lifud/eaglerise	Ø75*40	18/25/40°

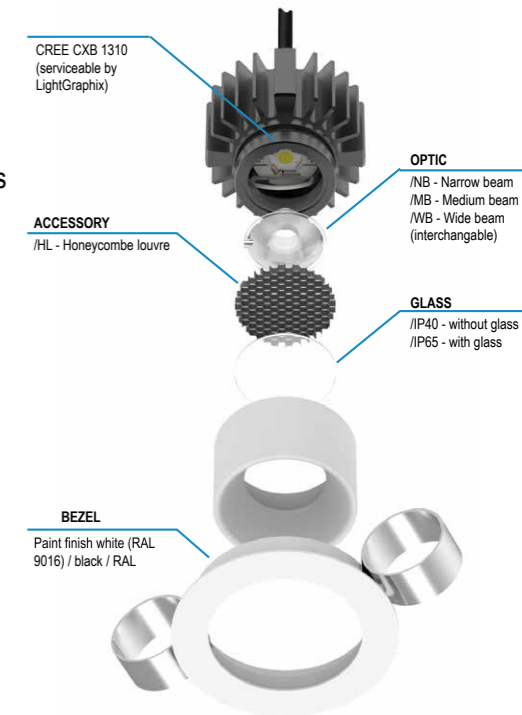


Scorpio

ES2004 ES2005 ES2006

Key Features

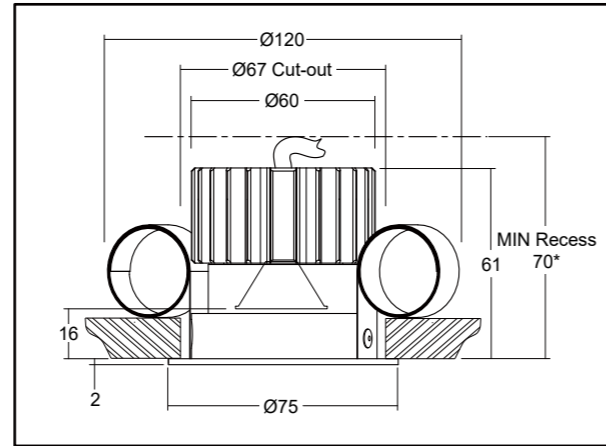
- Designed for external applications including boats/marine environments
 - High quality machined stainless steel 316 and anodised aluminium components
 - Designed for ceilings with a minimal recess depth - only 70mm recess
 - Inner baffle is supplied as gun metal grey as standard
 - High power 900lm output
 - 93 CRI Cree LED
 - Recessed LED and optic for reduced glare
 - Single optic produces a very consistent beam, no multiple shadows
 - Compact design ensures it fits into most project styles
 - IP67 as standard
 - Constant force springs make this fitting suitable for delicate mounting surfaces
- Available with Switch, 0-10V, DMX, Dali or Mains dimmable drivers



Specification

Wattage	LED Source	UGR	CRI	CCT	Input Voltage	Cut out	Driver	Size	Beam Angle
6W	Bridgelux	<10	≥90	2700/3000/4000/5000K	AC220-240v	Ø68/70	Lifud/eaglerise	Ø75*40	18/25/40°
10W	Bridgelux	<10	≥90	2700/3000/4000/5000K	AC220-240v	Ø68/70	Lifud/eaglerise	Ø75*40	18/25/40°
15W	Bridgelux	<10	≥90	2700/3000/4000/5000K	AC220-240v	Ø68/70	Lifud/eaglerise	Ø75*40	18/25/40°



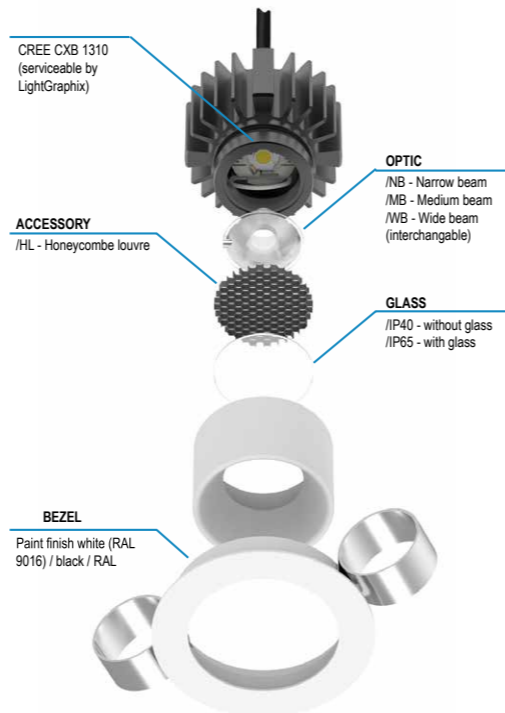


Scorpio

ES2007 ES2008 ES2009

Key Features

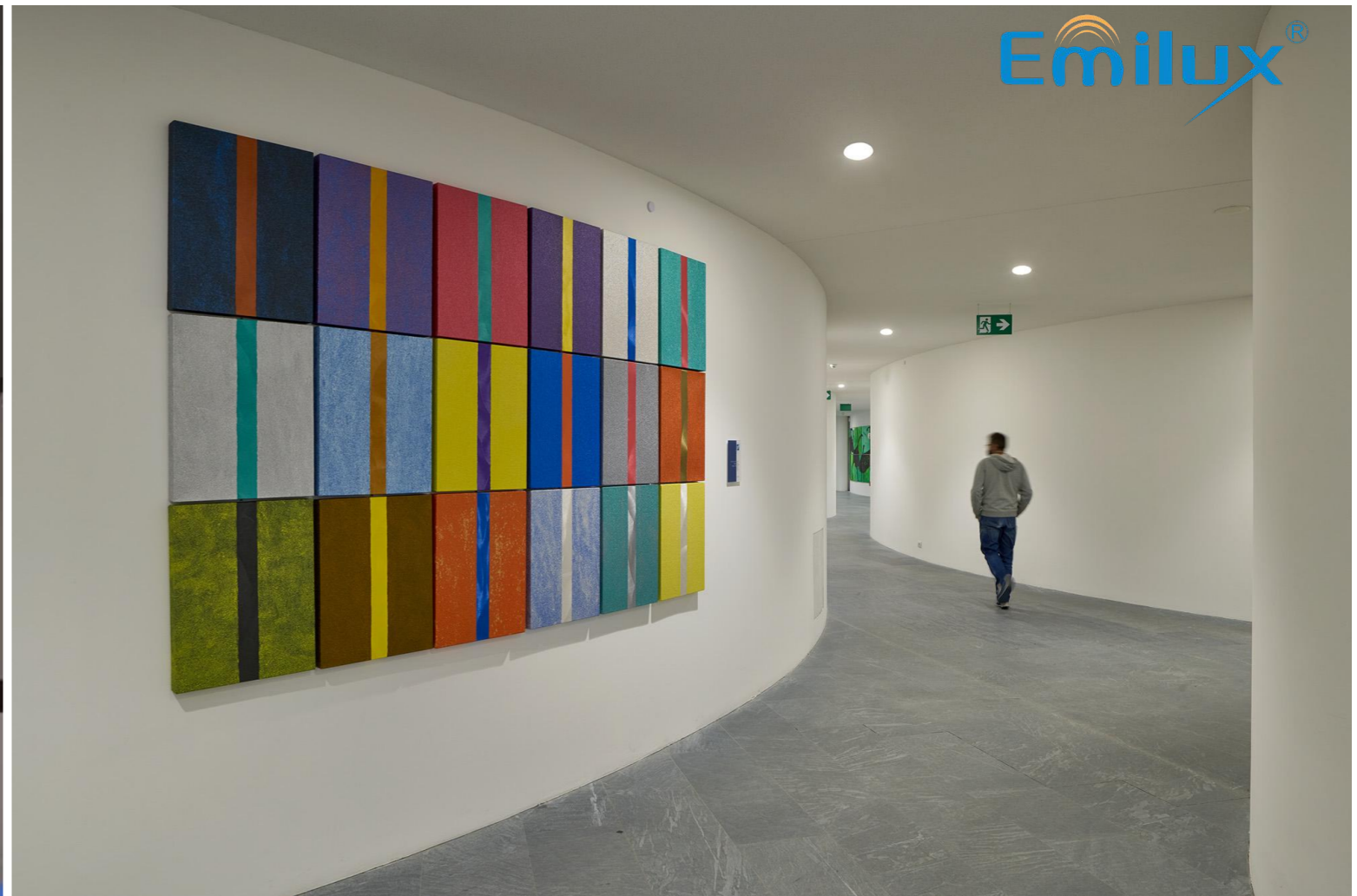
- Designed for external applications including boats/marine environments
 - High quality machined stainless steel 316 and anodised aluminium components
 - Designed for ceilings with a minimal recess depth - only 70mm recess
 - Inner baffle is supplied as gun metal grey as standard
 - High power 900lm output
 - 93 CRI Cree LED
 - Recessed LED and optic for reduced glare
 - Single optic produces a very consistent beam, no multiple shadows
 - Compact design ensures it fits into most project styles
 - IP67 as standard
 - Constant force springs make this fitting suitable for delicate mounting surfaces
- Available with Switch, 0-10V, DMX, Dali or Mains dimmable drivers



Specification

Wattage	LED Source	UGR	CRI	CCT	Input Voltage	Cut out	Driver	Size	Beam Angle
6W	Bridgelux	<10	≥90	2700/3000/4000/5000K	AC220-240v	Ø68/70	Lifud/eaglerise	Ø75*40	18/25/40°
10W	Bridgelux	<10	≥90	2700/3000/4000/5000K	AC220-240v	Ø68/70	Lifud/eaglerise	Ø75*40	18/25/40°
15W	Bridgelux	<10	≥90	2700/3000/4000/5000K	AC220-240v	Ø68/70	Lifud/eaglerise	Ø75*40	18/25/40°







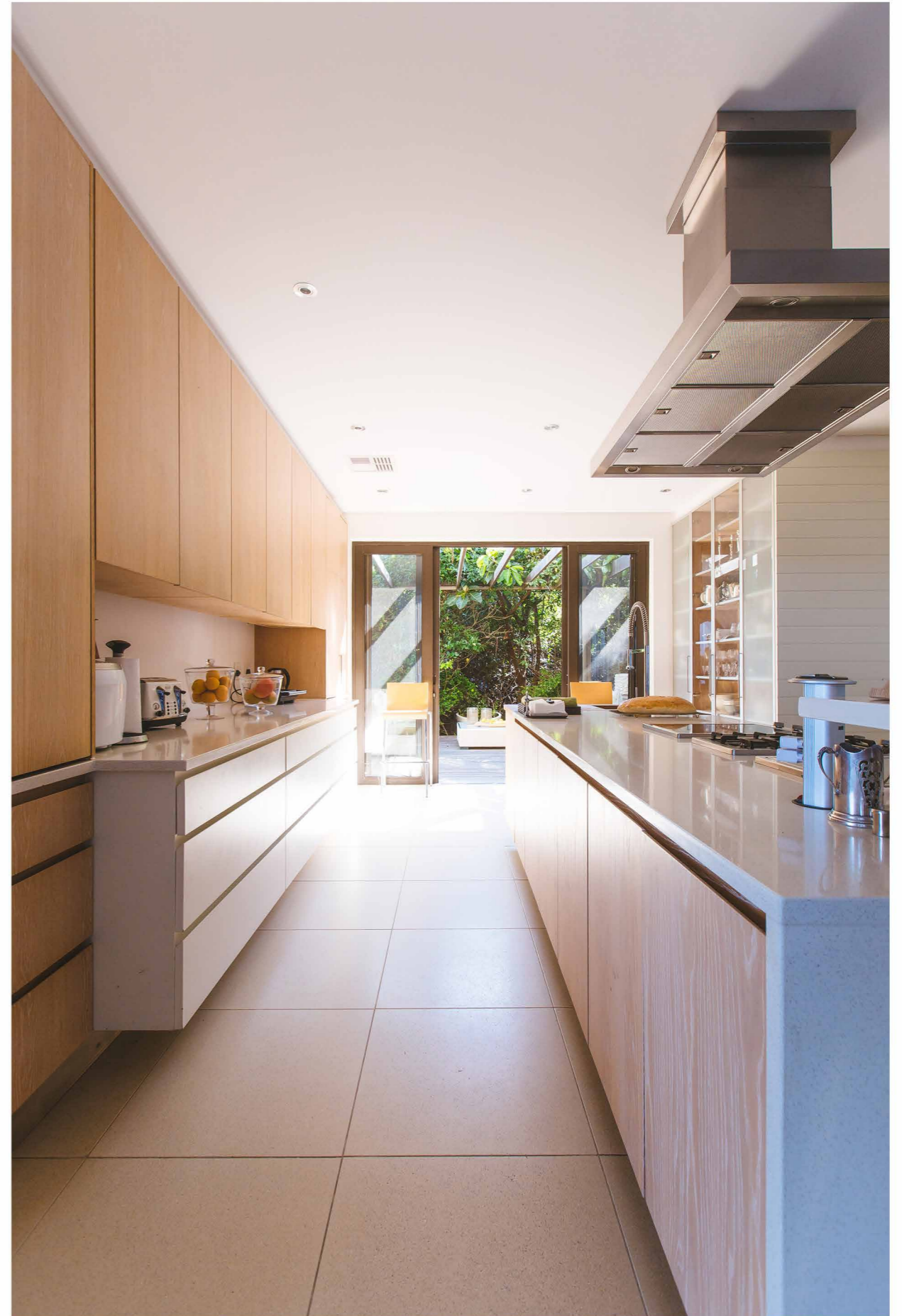
Spyder

Classic spot lights

1. The LED hotel spotlight body is made of aluminum alloy, with a novel and fashionable appearance. The optical reflector design meets different irradiation angles.
2. COB light source is adopted. The conventional configuration of COB light source is wafer chip. LED light sources of CREE, BRIDGELUX and CITIZEN can be selected according to customer requirements, or other brands of light sources can be designated.
3. Constant current isolation drive is adopted, which is convenient for installation and maintenance. It is perfectly matched with the light source board, and the whole lamp can reach more than 90LM/W.
4. The lamp body is guaranteed for 5 years, the drive is guaranteed for 2 years, and the light source is used for 30000 hours.
5. The same lamp body can be used to make lamps with different power according to customer requirements. For example, the normal configuration of 6-inch downlight is 15W, and 12W or 18W can be customized according to customer requirements.



Fixed





Cut out: 68-75mm

Dimension (MM)
85*42mm

6W-8W



Cut out: 68-75mm

Dimension (MM)
85*52mm

10W-12W



Cut out: 83-85mm

Dimension (MM)
95*48mm

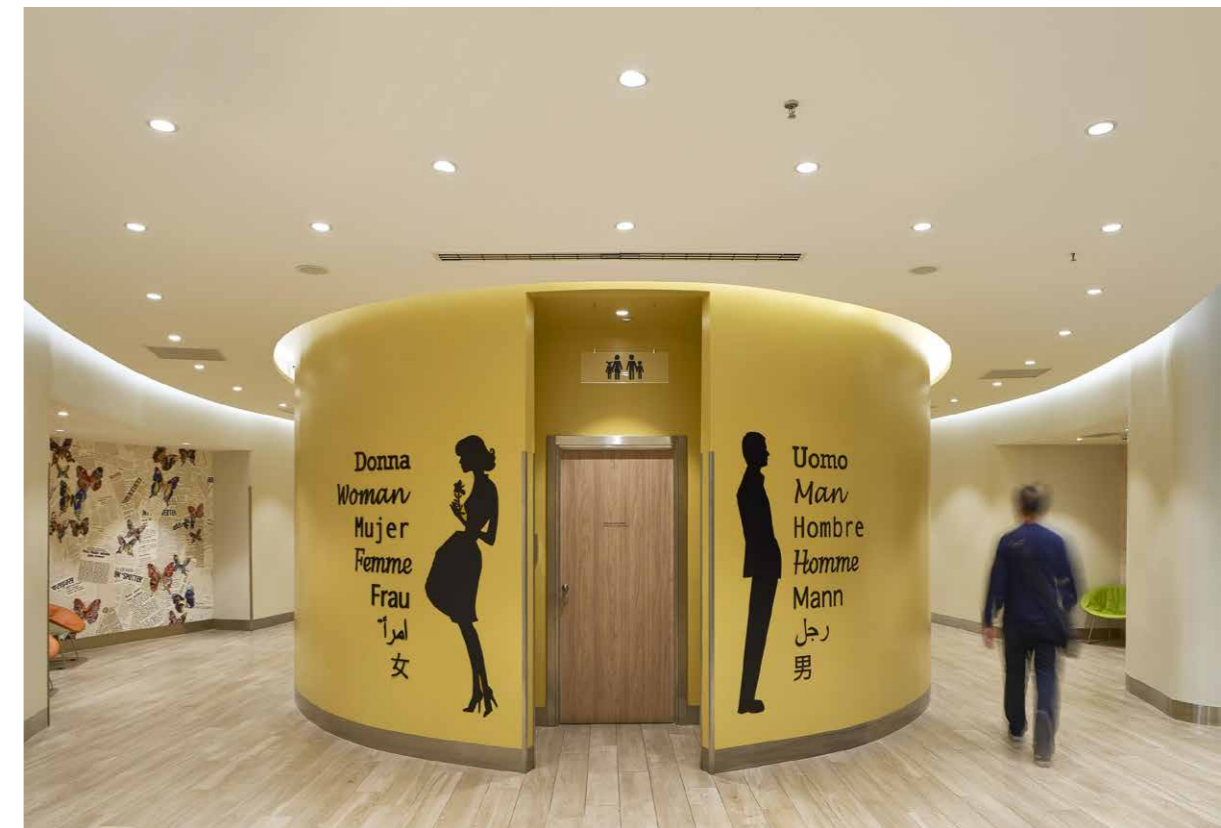
10W-12W



Model No	Wattage	Driver	Beam angle	Cut out	LED Source	Input Voltage	Dimmable optional	CCT dimmable
ES3001	6W	Lifud/eaglerise	20/40/60°	68-75mm	Bridgelux	AC220-240V	Triac/0-10v/dali	2700-6500K/ 1800-3000K
ES3001	8W	Lifud/eaglerise	20/40/60°	68-75mm	Bridgelux	AC220-240V	Triac/0-10v/dali	2700-6500K/ 1800-3000K

ES3002	10W	Lifud/eaglerise	20/40/60°	68-75mm	Bridgelux	AC220-240V	Triac/0-10v/dali	2700-6500K/ 1800-3000K
ES3002	12W	Lifud/eaglerise	20/40/60°	68-75mm	Bridgelux	AC220-240V	Triac/0-10v/dali	2700-6500K/ 1800-3000K

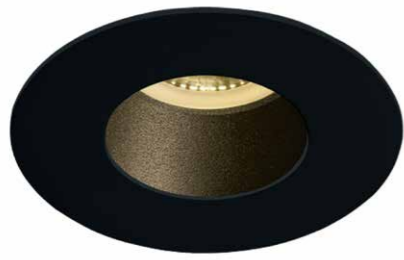
ES3003	10W	Lifud/eaglerise	20/40/60°	80-85mm	Bridgelux	AC220-240V	Triac/0-10v/dali	2700-6500K/ 1800-3000K
ES3003	12W	Lifud/eaglerise	20/40/60°	80-85mm	Bridgelux	AC220-240V	Triac/0-10v/dali	2700-6500K/ 1800-3000K



- Excellent colour rendering of CRI Ra 90-97 80lm/W
- For new buildings and renovation projects
- Dimmable (TED) driver included
- No installation box required (TED)
- Suitable for outdoor installation*
- Quick connection box with Loop-in / Loop-Out

Spyder

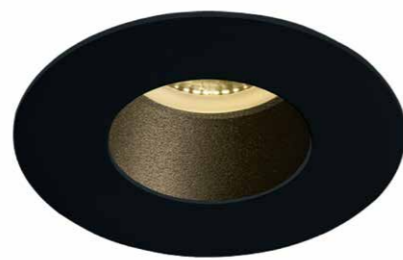
Conventional spotlight



Cut out: 68-75mm

Dimension (MM)
85*42mm

6W-8W



Cut out: 68-75mm

Dimension (MM)
85*52mm

10W-12W



Cut out: 83-85mm

Dimension (MM)
95*48mm

10W-12W

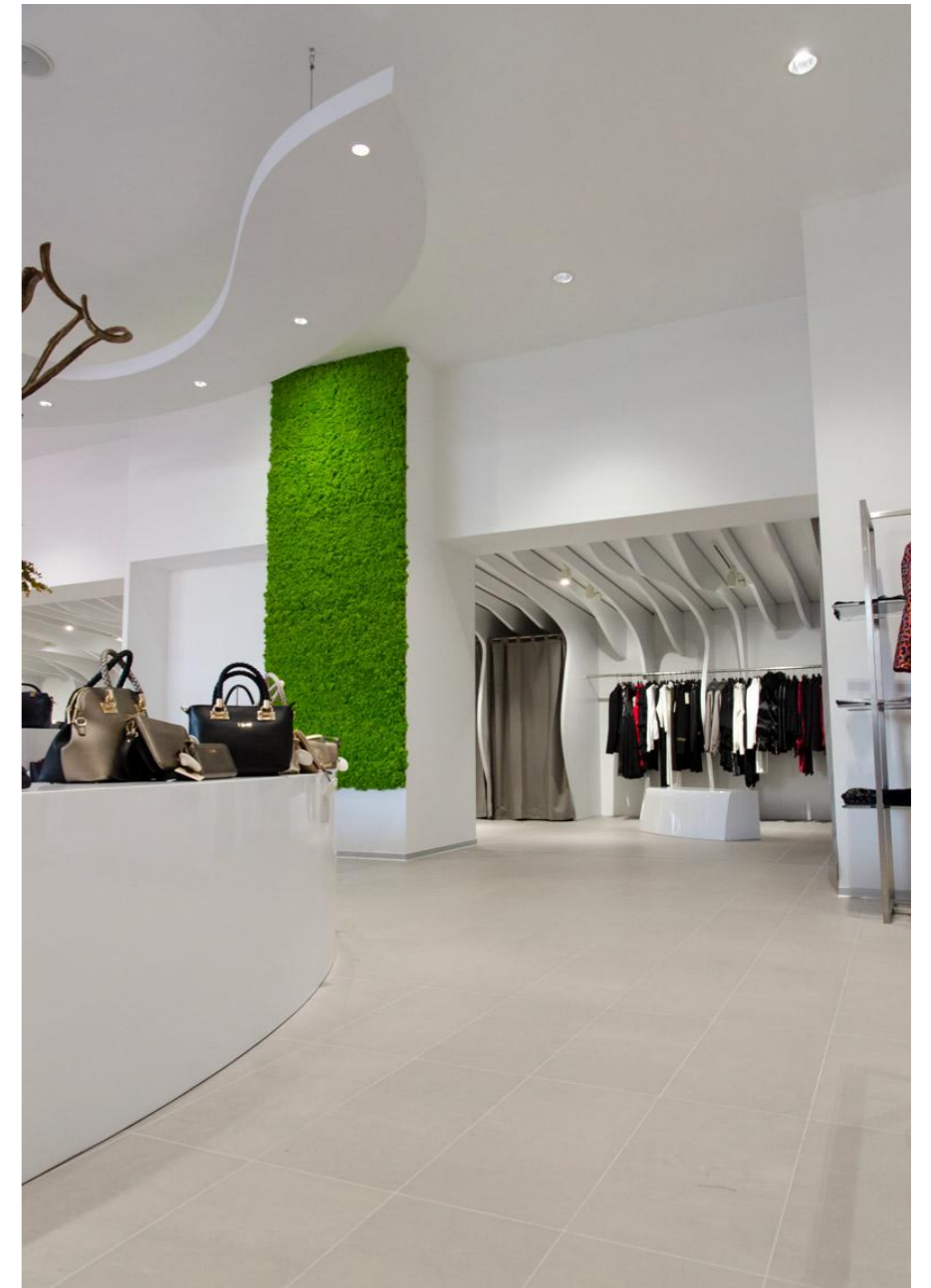


Model No	Wattage	Driver	Beam angle	Cut out	LED Source	Input Voltage	Dimmable optional	CCT dimmable
ES3003	6W	Lifud/eaglerise	20/40/60°	68-75mm	Bridgelux	AC220-240V	Triac/0-10v/dali	2700-6500K/ 1800-3000K
ES3003	8W	Lifud/eaglerise	20/40/60°	68-75mm	Bridgelux	AC220-240V	Triac/0-10v/dali	2700-6500K/ 1800-3000K

ES3004	10W	Lifud/eaglerise	20/40/60°	68-75mm	Bridgelux	AC220-240V	Triac/0-10v/dali	2700-6500K/ 1800-3000K
ES3004	12W	Lifud/eaglerise	20/40/60°	68-75mm	Bridgelux	AC220-240V	Triac/0-10v/dali	2700-6500K/ 1800-3000K

ES3006	10W	Lifud/eaglerise	20/40/60°	80-85mm	Bridgelux	AC220-240V	Triac/0-10v/dali	2700-6500K/ 1800-3000K
ES3006	12W	Lifud/eaglerise	20/40/60°	80-85mm	Bridgelux	AC220-240V	Triac/0-10v/dali	2700-6500K/ 1800-3000K

- Excellent colour rendering of CRI Ra 90-97 80lm/W
- For new buildings and renovation projects
- Dimmable (TED) driver included
- No installation box required (TED)
- Suitable for outdoor installation*
- Quick connection box with Loop-in / Loop-Out



Spyder

Conventional spotlight



Dimension (MM)
68*52mm
68*62mm



Cut out: 60mm

6W-8W
10-12W

Dimension (MM)
85*52mm
85*60mm



Cut out: 68-75mm

6W-8W
10-12W

Dimension (MM)
95*62mm



Cut out: 80-85mm

10W-12W



Model No	Wattage	Driver	Beam angle	Cut out	LED Source	Input Voltage	Dimmable optional	CCT dimmable
ES3017	6W	Lifud/eaglerise	20/40/60°	60mm	Bridgelux	AC220-240V	Triac/0-10v/dali	2700-6500K/1800-3000K
ES3017	8W	Lifud/eaglerise	20/40/60°	60mm	Bridgelux	AC220-240V	Triac/0-10v/dali	2700-6500K/1800-3000K
ES3018	10W	Lifud/eaglerise	20/40/60°	60mm	Bridgelux	AC220-240V	Triac/0-10v/dali	2700-6500K/1800-3000K
ES3018	12W	Lifud/eaglerise	20/40/60°	60mm	Bridgelux	AC220-240V	Triac/0-10v/dali	2700-6500K/1800-3000K

ES3024	6W	Lifud/eaglerise	20/40/60°	68-75mm	Bridgelux	AC220-240V	Triac/0-10v/dali	2700-6500K/1800-3000K
ES3024	8W	Lifud/eaglerise	20/40/60°	68-75mm	Bridgelux	AC220-240V	Triac/0-10v/dali	2700-6500K/1800-3000K
ES3024	10W	Lifud/eaglerise	20/40/60°	68-75mm	Bridgelux	AC220-240V	Triac/0-10v/dali	2700-6500K/1800-3000K
ES3024	12W	Lifud/eaglerise	20/40/60°	68-75mm	Bridgelux	AC220-240V	Triac/0-10v/dali	2700-6500K/1800-3000K

ES3030	10W	Lifud/eaglerise	20/40/60°	80-85mm	Bridgelux	AC220-240V	Triac/0-10v/dali	2700-6500K/1800-3000K
ES3030	12W	Lifud/eaglerise	20/40/60°	80-85mm	Bridgelux	AC220-240V	Triac/0-10v/dali	2700-6500K/1800-3000K



Spyder

6W/8W/10W/12W

Cut out:60mm/68-75mm/
80-85mm

Straight arc light surface

Dimension (MM)
68*44mm
68*54mm



Cut out: 60mm

6W-8W
10W-12W

Dimension (MM)
85*50mm



Cut out: 68-75mm

6W-8W
10W-12W

Dimension (MM)
95*62mm



Cut out: 80-85mm

10W-12W



Model No	Wattage	Driver	Beam angle	Cut out	LED Source	Input Voltage	Dimmable optional	CCT dimmable
ES3013	6W	Lifud/eaglerise	20/40/60°	60mm	Bridgelux	AC220-240V	Triac/0-10v/dali	2700-6500K/1800-3000K
ES3013	8W	Lifud/eaglerise	20/40/60°	60mm	Bridgelux	AC220-240V	Triac/0-10v/dali	2700-6500K/1800-3000K
ES3014	10W	Lifud/eaglerise	20/40/60°	60mm	Bridgelux	AC220-240V	Triac/0-10v/dali	2700-6500K/1800-3000K
ES3014	12W	Lifud/eaglerise	20/40/60°	60mm	Bridgelux	AC220-240V	Triac/0-10v/dali	2700-6500K/1800-3000K

ES3022	6W	Lifud/eaglerise	20/40/60°	68-75mm	Bridgelux	AC220-240V	Triac/0-10v/dali	2700-6500K/1800-3000K
ES3022	8W	Lifud/eaglerise	20/40/60°	68-75mm	Bridgelux	AC220-240V	Triac/0-10v/dali	2700-6500K/1800-3000K
ES3022	10W	Lifud/eaglerise	20/40/60°	68-75mm	Bridgelux	AC220-240V	Triac/0-10v/dali	2700-6500K/1800-3000K
ES3022	12W	Lifud/eaglerise	20/40/60°	68-75mm	Bridgelux	AC220-240V	Triac/0-10v/dali	2700-6500K/1800-3000K

ES3028	10W	Lifud/eaglerise	20/40/60°	80-85mm	Bridgelux	AC220-240V	Triac/0-10v/dali	2700-6500K/1800-3000K
ES3028	12W	Lifud/eaglerise	20/40/60°	80-85mm	Bridgelux	AC220-240V	Triac/0-10v/dali	2700-6500K/1800-3000K



Spyder

6W/8W/10W/12W

Cut out: 60mm/68-75mm/
80-85mm

Straight arc light surface

Dimension (MM)
68*48mm
68*58mm



Cut out: 68-75mm

6W-8W

10W-12W

Dimension (MM)
85*50mm
85*52mm



Cut out: 68-75mm

6W-8W

10W-12W

Dimension (MM)
95*58mm



Cut out: 80-85mm

10W-12W



Model No	Wattage	Driver	Beam angle	Cut out	LED Source	Input Voltage	Dimmable optional	CCT dimmable
ES3015	6W	Lifud/eaglerise	20/40/60°	60mm	Bridgelux	AC220-240V	Triac/0-10v/dali	2700-6500K/1800-3000K
ES3015	8W	Lifud/eaglerise	20/40/60°	60mm	Bridgelux	AC220-240V	Triac/0-10v/dali	2700-6500K/1800-3000K
ES3016	10W	Lifud/eaglerise	20/40/60°	60mm	Bridgelux	AC220-240V	Triac/0-10v/dali	2700-6500K/1800-3000K
ES3016	12W	Lifud/eaglerise	20/40/60°	60mm	Bridgelux	AC220-240V	Triac/0-10v/dali	2700-6500K/1800-3000K

ES3023	6W	Lifud/eaglerise	20/40/60°	68-75mm	Bridgelux	AC220-240V	Triac/0-10v/dali	2700-6500K/1800-3000K
ES3023	8W	Lifud/eaglerise	20/40/60°	68-75mm	Bridgelux	AC220-240V	Triac/0-10v/dali	2700-6500K/1800-3000K
ES3023	10W	Lifud/eaglerise	20/40/60°	68-75mm	Bridgelux	AC220-240V	Triac/0-10v/dali	2700-6500K/1800-3000K
ES3023	12W	Lifud/eaglerise	20/40/60°	68-75mm	Bridgelux	AC220-240V	Triac/0-10v/dali	2700-6500K/1800-3000K

ES3029	10W	Lifud/eaglerise	20/40/60°	80-85mm	Bridgelux	AC220-240V	Triac/0-10v/dali	2700-6500K/1800-3000K
ES3029	12W	Lifud/eaglerise	20/40/60°	80-85mm	Bridgelux	AC220-240V	Triac/0-10v/dali	2700-6500K/1800-3000K

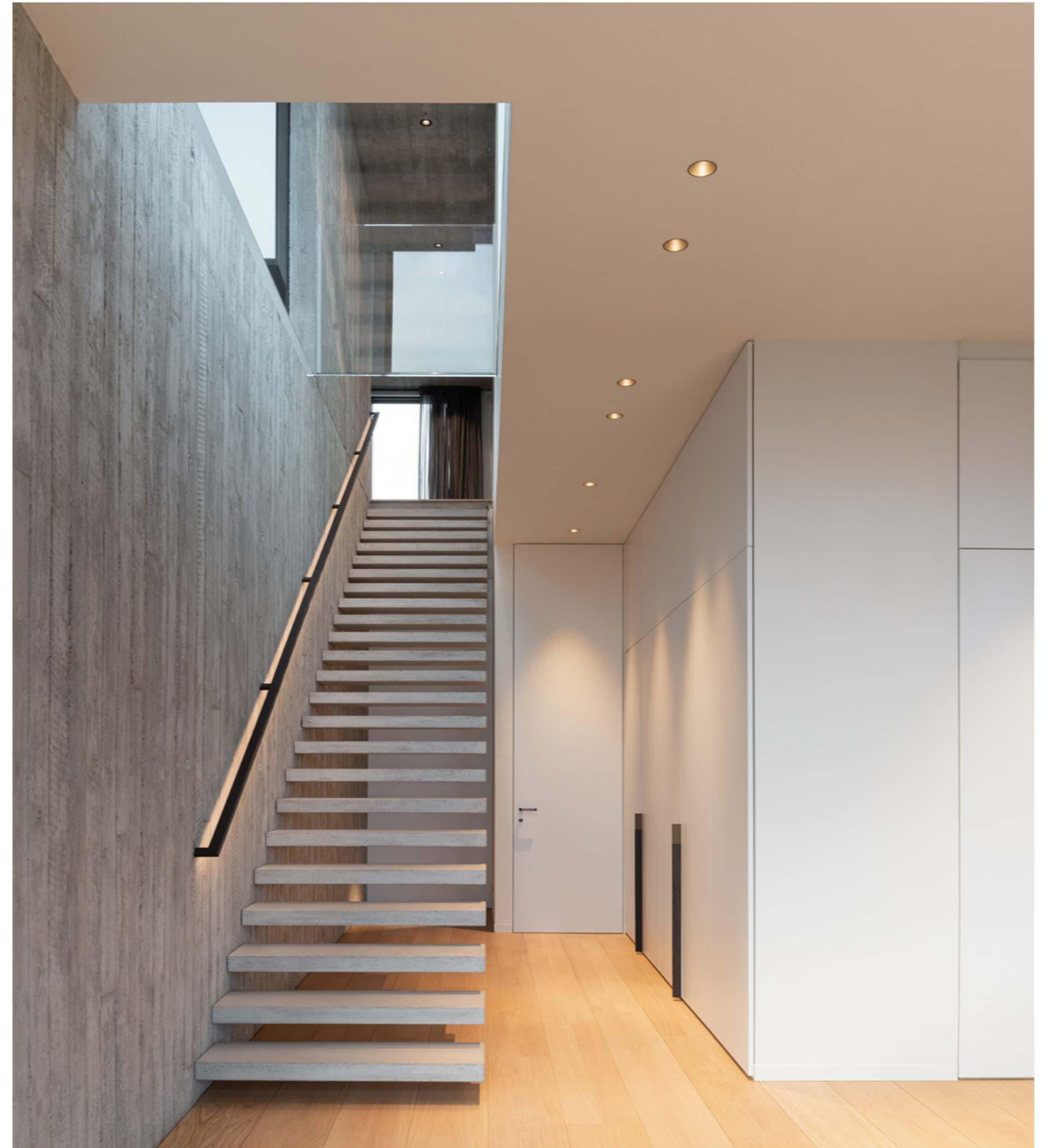


Spyder

6W/8W/10W/12W

Cut out: 60mm/68-75mm/
80-85mm

Straight arc light surface



Dimension (MM)
68*52mm
68*62mm



Cut out: 60mm
6W-8W
10W-12W

Dimension (MM)
85*60mm



Cut out: 68-75mm
6W-8W
10W-12W

Dimension (MM)
95*62mm



Cut out: 80-85mm
10W-12W



Model No	Wattage	Driver	Beam angle	Cut out	LED Source	Input Voltage	Dimmable optional	CCT dimmable
ES3011	6W	Lifud/eaglerise	20/40/60°	60mm	Bridgelux	AC220-240V	Triac/0-10v/dali	2700-6500K/1800-3000K
ES3011	8W	Lifud/eaglerise	20/40/60°	60mm	Bridgelux	AC220-240V	Triac/0-10v/dali	2700-6500K/1800-3000K
ES3012	10W	Lifud/eaglerise	20/40/60°	60mm	Bridgelux	AC220-240V	Triac/0-10v/dali	2700-6500K/1800-3000K
ES3012	12W	Lifud/eaglerise	20/40/60°	60mm	Bridgelux	AC220-240V	Triac/0-10v/dali	2700-6500K/1800-3000K

ES3021	6W	Lifud/eaglerise	20/40/60°	68-75mm	Bridgelux	AC220-240V	Triac/0-10v/dali	2700-6500K/1800-3000K
ES3021	8W	Lifud/eaglerise	20/40/60°	68-75mm	Bridgelux	AC220-240V	Triac/0-10v/dali	2700-6500K/1800-3000K
ES3021	10W	Lifud/eaglerise	20/40/60°	68-75mm	Bridgelux	AC220-240V	Triac/0-10v/dali	2700-6500K/1800-3000K
ES3021	12W	Lifud/eaglerise	20/40/60°	68-75mm	Bridgelux	AC220-240V	Triac/0-10v/dali	2700-6500K/1800-3000K

ES3027	10W	Lifud/eaglerise	20/40/60°	80-85mm	Bridgelux	AC220-240V	Triac/0-10v/dali	2700-6500K/1800-3000K
ES3027	12W	Lifud/eaglerise	20/40/60°	80-85mm	Bridgelux	AC220-240V	Triac/0-10v/dali	2700-6500K/1800-3000K



Spyder

6W/8W/10W/12W

Cut out: 60mm/68-75mm/
80-85mm

Straight arc light surface

Dimension (MM)
68*48mm
68*58mm



Cut out: 60mm
6W-8W
10W-12W

Dimension (MM)
85*55mm



Cut out: 68-75mm
6W-8W
10W-12W

Dimension (MM)
95*55mm



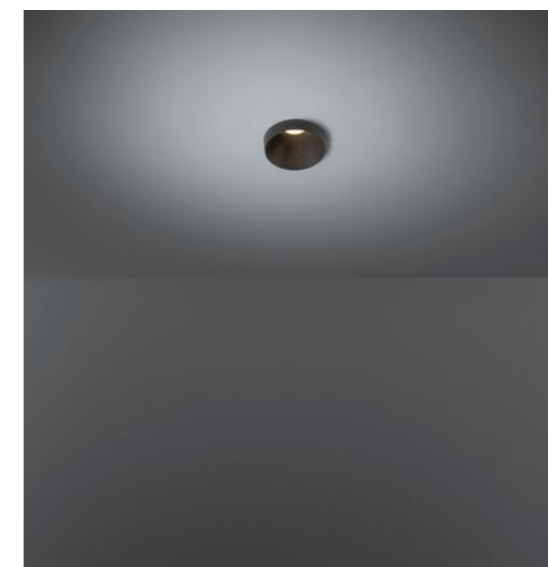
Cut out: 80-85mm
10W-12W



Model No	Wattage	Driver	Beam angle	Cut out	LED Source	Input Voltage	Dimmable optional	CCT dimmable
ES3009	6W	Lifud/eaglerise	20/40/60°	60mm	Bridgelux	AC220-240V	Triac/0-10v/dali	2700-6500K/1800-3000K
ES3009	8W	Lifud/eaglerise	20/40/60°	60mm	Bridgelux	AC220-240V	Triac/0-10v/dali	2700-6500K/1800-3000K
ES3010	10W	Lifud/eaglerise	20/40/60°	60mm	Bridgelux	AC220-240V	Triac/0-10v/dali	2700-6500K/1800-3000K
ES3010	12W	Lifud/eaglerise	20/40/60°	60mm	Bridgelux	AC220-240V	Triac/0-10v/dali	2700-6500K/1800-3000K

ES3020	6W	Lifud/eaglerise	20/40/60°	68-75mm	Bridgelux	AC220-240V	Triac/0-10v/dali	2700-6500K/1800-3000K
ES3020	8W	Lifud/eaglerise	20/40/60°	68-75mm	Bridgelux	AC220-240V	Triac/0-10v/dali	2700-6500K/1800-3000K
ES3020	10W	Lifud/eaglerise	20/40/60°	68-75mm	Bridgelux	AC220-240V	Triac/0-10v/dali	2700-6500K/1800-3000K
ES3020	12W	Lifud/eaglerise	20/40/60°	68-75mm	Bridgelux	AC220-240V	Triac/0-10v/dali	2700-6500K/1800-3000K

ES3026	10W	Lifud/eaglerise	20/40/60°	80-85mm	Bridgelux	AC220-240V	Triac/0-10v/dali	2700-6500K/1800-3000K
ES3026	12W	Lifud/eaglerise	20/40/60°	80-85mm	Bridgelux	AC220-240V	Triac/0-10v/dali	2700-6500K/1800-3000K



Spyder

6W/8W/10W/12W

Cut out: 60mm/68-75mm/
80-85mm

Straight arc light surface

Dimension (MM)
68*44mm
68*54mm



Cut out: 60mm
6W-8W
10W-12W

Dimension (MM)
85*50mm



Cut out: 68-75mm
6W-8W
10W-12W

Dimension (MM)
95*52mm



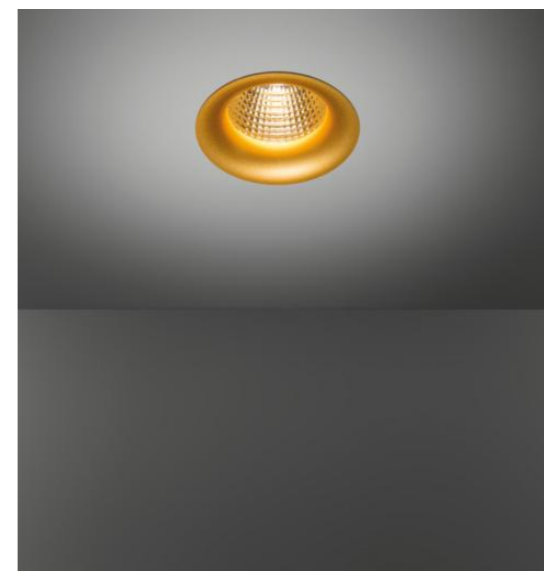
Cut out: 80-85mm
10W-12W



Model No	Wattage	Driver	Beam angle	Cut out	LED Source	Input Voltage	Dimmable optional	CCT dimmable
ES3007	6W	Lifud/eaglerise	20/40/60°	60mm	Bridgelux	AC220-240V	Triac/0-10v/dali	2700-6500K/1800-3000K
ES3007	8W	Lifud/eaglerise	20/40/60°	60mm	Bridgelux	AC220-240V	Triac/0-10v/dali	2700-6500K/1800-3000K
ES3008	10W	Lifud/eaglerise	20/40/60°	60mm	Bridgelux	AC220-240V	Triac/0-10v/dali	2700-6500K/1800-3000K
ES3008	12W	Lifud/eaglerise	20/40/60°	60mm	Bridgelux	AC220-240V	Triac/0-10v/dali	2700-6500K/1800-3000K

ES3019	6W	Lifud/eaglerise	20/40/60°	68-75mm	Bridgelux	AC220-240V	Triac/0-10v/dali	2700-6500K/1800-3000K
ES3019	8W	Lifud/eaglerise	20/40/60°	68-75mm	Bridgelux	AC220-240V	Triac/0-10v/dali	2700-6500K/1800-3000K
ES3019	10W	Lifud/eaglerise	20/40/60°	68-75mm	Bridgelux	AC220-240V	Triac/0-10v/dali	2700-6500K/1800-3000K
ES3019	12W	Lifud/eaglerise	20/40/60°	68-75mm	Bridgelux	AC220-240V	Triac/0-10v/dali	2700-6500K/1800-3000K

ES3025	10W	Lifud/eaglerise	20/40/60°	80-85mm	Bridgelux	AC220-240V	Triac/0-10v/dali	2700-6500K/1800-3000K
ES3025	12W	Lifud/eaglerise	20/40/60°	80-85mm	Bridgelux	AC220-240V	Triac/0-10v/dali	2700-6500K/1800-3000K



Spyder

6W/8W/10W/12W

Cut out: 60mm/68-75mm/
80-85mm

Straight arc light surface

Dimension (MM)
85*67mm



Cut out: 75mm
10W-12W

Dimension (MM)
85*67mm



Cut out: 75mm
10W-12W



Model No	Wattage	Driver	Beam angle	Cut out	LED Source	Input Voltage	Dimmable optional	CCT dimmable
ES3007	6W	Lifud/eaglerise	20/40/60°	60mm	Bridgelux	AC220-240V	Triac/0-10v/dali	2700-6500K/1800-3000K
ES3007	8W	Lifud/eaglerise	20/40/60°	60mm	Bridgelux	AC220-240V	Triac/0-10v/dali	2700-6500K/1800-3000K
ES3008	10W	Lifud/eaglerise	20/40/60°	60mm	Bridgelux	AC220-240V	Triac/0-10v/dali	2700-6500K/1800-3000K
ES3008	12W	Lifud/eaglerise	20/40/60°	60mm	Bridgelux	AC220-240V	Triac/0-10v/dali	2700-6500K/1800-3000K



Spyder

10W/12W

Cut out:75MM

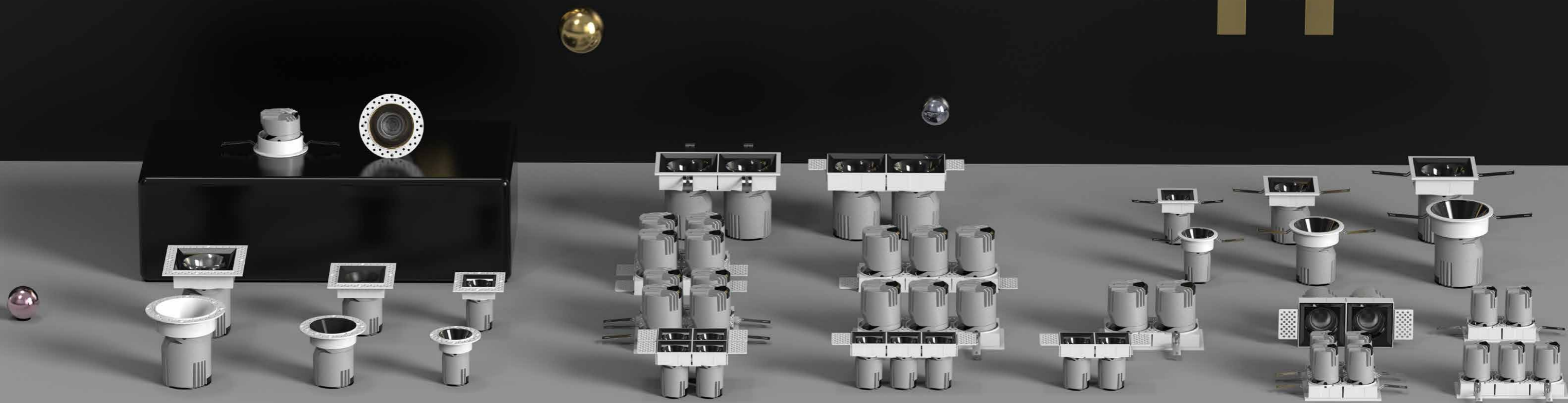
Straight arc light surface

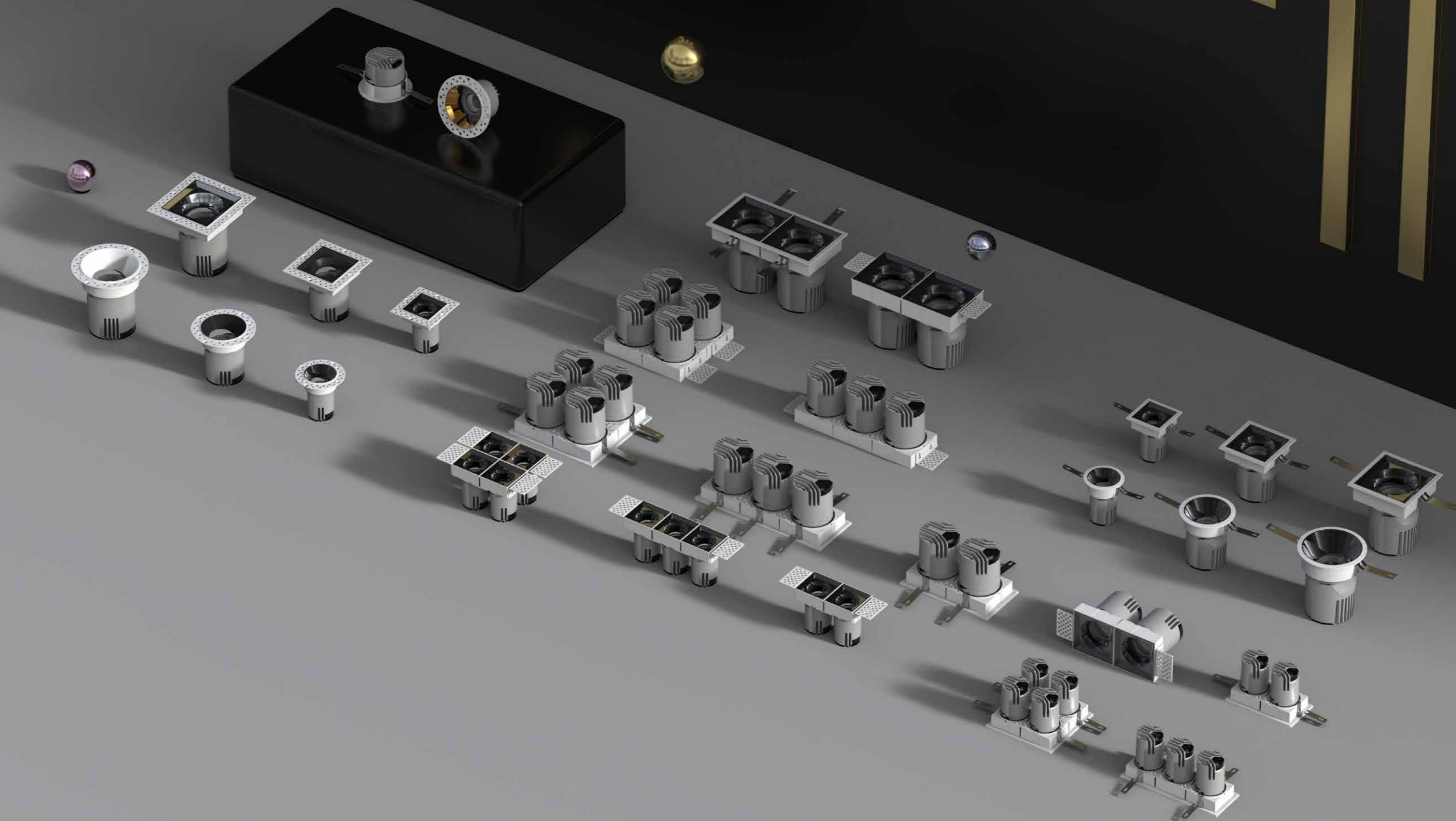
- Excellent colour rendering of CRI Ra 90-97 80lm/W
- For new buildings and renovation projects
- Dimmable (TED) driver included
- No installation box required (TED)
- Suitable for outdoor installation*
- Quick connection box with Loop-in / Loop-Out





Hotel wall washing solution
High end hotel spotlight





Taurus Series



Model:

ES4001

ES4002

ES4003

LED sources

Bridgelux/CREE

Optic

Lens.

Narrow, medium and wide beam angle available.

Body

Aluminium alloy

Driver

Lifud/eaglerise

PF

0.5

Applications

Its unique pull-down mechanism, enables it to function as either a downlight or a exposed lamp able to emulate a surface or track fixture.

Application areas: retail, hotels, museums, window displays.

Size

φ55

φ75

φ95

CCT

3000K/4000K/5000K

3000K/4000K/5000K

3000K/4000K/5000K

LED power

5-7W

10-15w

18-24w

Nominal Lumen

70-75lm/W

70-75lm/W

70-75lm/W

Beam Angle

15°、24°、36°、55°

15°、24°、36°、55°

15°、24°、36°、55°

Driver Options

D0 No Dim

DA Dali Dim

DC CASAMBI

D1 0-10V Dim

Finish

Bright black/white

Matt black/silver

White



Taurus Series



Model:

ES4004

ES4005

ES4006

LED sources

Bridgelux/CREE

Optic

Lens.

Narrow, medium and wide beam angle available.

Body

Aluminium alloy

Driver

Lifud/eaglerise

Driver

Lifud/eaglerise

Applications

Its unique pull-down mechanism, enables it to function as either a downlight or a exposed lamp able to emulate a surface or track fixture.

Application areas: retail, hotels, museums, window displays.

Size	CCT	LED power	Nominal Lumen	Beam Angle
φ55	3000K/4000K/5000K	5-7W	70-75lm/W	15°, 24°, 36°, 55°
φ75	3000K/4000K/5000K	10-15w	70-75lm/W	15°, 24°, 36°, 55°
φ95	3000K/4000K/5000K	18-24w	70-75lm/W	15°, 24°, 36°, 55°

Driver Options

D0 No Dim

DA Dali Dim

DC CASAMBI

D1 0-10V Dim

Finish

Bright black/white

Matt black/silver

White



Taurus Series



Model:

ES4007

ES4008

ES4009

LED sources

Bridgelux/CREE

Optic

Lens.

Narrow, medium and wide beam angle available.

Body

Aluminium alloy

Driver

Lifud/eaglerise

Applications

Its unique pull-down mechanism, enables it to function as either a downlight or a exposed lamp able to emulate a surface or track fixture.

Application areas: retail, hotels, museums, window displays.

Size

CCT

LED power

Nominal Lumen

Beam Angle

Size	CCT	LED power	Nominal Lumen	Beam Angle
φ55	3000K/4000K/5000K	5-7W	70-75lm/W	15°, 24°, 36°, 55°
φ75	3000K/4000K/5000K	10-15w	70-75lm/W	15°, 24°, 36°, 55°
φ95	3000K/4000K/5000K	18-24w	70-75lm/W	15°, 24°, 36°, 55°

Driver Options

D0 No Dim

DA Dali Dim

DC CASAMBI

D1 0-10V Dim

Finish

Bright black/white

Matt black/silver

White



Taurus Series



Model:

- ES4010
- ES4011
- ES4012

LED sources

Bridgelux/CREE

Optic

Lens.

Narrow, medium and wide beam angle available.

Body

Aluminium alloy

Driver

Lifud/eaglerise

Applications

Its unique pull-down mechanism, enables it to function as either a downlight or a exposed lamp able to emulate a surface or track fixture.

Application areas: retail, hotels, museums, window displays.

Size

CCT

LED power

Nominal Lumen

Beam Angle

Size	CCT	LED power	Nominal Lumen	Beam Angle
φ55	3000K/4000K/5000K	5-7W	70-75lm/W	15°, 24°, 36°, 55°
φ75	3000K/4000K/5000K	10-15w	70-75lm/W	15°, 24°, 36°, 55°
φ95	3000K/4000K/5000K	18-24w	70-75lm/W	15°, 24°, 36°, 55°

Driver Options

- D0 No Dim
- DA Dali Dim
- DC CASAMBI
- D1 0-10V Dim

Finish

- Bright black/white
- Matt black/silver
- White



Taurus Series



Model:

ES4013

ES4014

ES4015

LED sources

Bridgelux/CREE

Optic

Lens.

Narrow, medium and wide beam angle available.

Body

Aluminium diecasting

Driver

Lifud/eaglerise

Applications

Its unique pull-down mechanism, enables it to function as either a downlight or a exposed lamp able to emulate a surface or track fixture.

Application areas: retail, hotels, museums, window displays.

Size

CCT

LED power

Nominal Lumen

Beam Angle

φ 105*55

3000K/4000K/5000K

7W*2

70-75lm/W

15°, 24°, 36°, 55°

φ 148*75

3000K/4000K/5000K

15W*2

70-75lm/W

15°, 24°, 36°, 55°

φ 188*95

3000K/4000K/5000K

24W*2

70-75lm/W

15°, 24°, 36°, 55°

Driver Options

D0 No Dim

DA Dali Dim

DC CASAMBI

D1 0-10V Dim

Finish

Bright black/white

Matt black/silver

White



Taurus Series



Model:

ES4016

ES4017

LED sources

Bridgelux/CREE

Optic

Lens.

Narrow, medium and wide beam angle available.

Body

Aluminium alloy

Driver

Lifud/eaglerise

Applications

Its unique pull-down mechanism, enables it to function as

either a downlight or a exposed lamp able to emulate a

surface or track fixture.

Application areas: retail, hotels, museums, window displays.

Size

CCT

LED power

Nominal Lumen

Beam Angle

φ160*55

3000K/4000K/5000K

7W*3

70-75lm/W

15°, 24°, 36°, 55°

φ220*75

3000K/4000K/5000K

15w*3

70-75lm/W

15°, 24°, 36°, 55°

Driver Options

D0 No Dim

DA Dali Dim

DC CASAMBI

D1 0-10V Dim

Finish

White

Bright black/white

Matt black/silver



Taurus Series



Model:

ES4018

ES4019

ES4020

LED sources

Bridgelux/CREE

Optic

Lens.

Narrow, medium and wide beam angle available.

Body

Aluminium alloy

Driver

Lifud/eaglerise

Applications

Its unique pull-down mechanism, enables it to function as either a downlight or a exposed lamp able to emulate a surface or track fixture.

Application areas: retail, hotels, museums, window displays.

Size

CCT

LED power

Nominal Lumen

Beam Angle

Size	CCT	LED power	Nominal Lumen	Beam Angle
φ 105*53	3000K/4000K/5000K	2*7W	70-75lm/W	15°、24°、36°、55°
φ 145*73	3000K/4000K/5000K	2*15w	70-75lm/W	15°、24°、36°、55°
φ 185*93	3000K/4000K/5000K	2*24w	70-75lm/W	15°、24°、36°、55°

Driver Options

D0 No Dim

DA Dali Dim

DC CASAMBI

D1 0-10V Dim

Finish

Bright black/white

Matt black/silver

White



Taurus Series



Model:

ES4021

ES4022

LED sources

Bridgelux/CREE

Optic

Lens.

Narrow, medium and wide beam angle available.

Body

Aluminium alloy

Driver

Lifud/eaglerise

Applications

Its unique pull-down mechanism, enables it to function as

either a downlight or a exposed lamp able to emulate a

surface or track fixture.

Application areas: retail, hotels, museums, window displays.

Size

CCT

LED power

Nominal Lumen

Beam Angle

φ 158*53

3000K/4000K/5000K

3*7W

70-75lm/W

15°, 24°, 36°, 55°

φ 216*73

3000K/4000K/5000K

3*15w

70-75lm/W

15°, 24°, 36°, 55°

Driver Options

D0 No Dim

DA Dali Dim

DC CASAMBI

D1 0-10V Dim

Finish

Bright black/white

Matt black/silver

White



CREE

Taurus Series



Model:

ES4023

ES4024

LED sources

Bridgelux/CREE

Optic

Lens.

Narrow, medium and wide beam angle available.

Body

Aluminium alloy

Driver

Lifud/eaglerise

Applications

Its unique pull-down mechanism, enables it to function as either a downlight or a exposed lamp able to emulate a surface or track fixture.

Application areas: retail, hotels, museums, window displays.

Size	CCT	LED power	Nominal Lumen	Beam Angle
------	-----	-----------	---------------	------------

φ85*60	3000K/4000K/5000K	7W	70-75lm/W	15°、24°、36°、55°
--------	-------------------	----	-----------	-----------------

φ100*60	3000K/4000K/5000K	7W	70-75lm/W	15°、24°、36°、55°
---------	-------------------	----	-----------	-----------------

Driver Options

- D0 No Dim
- DA Dali Dim
- DC CASAMBI
- D1 0-10V Dim

Finish

- Bright black/white
- Matt black/silver
- White



Taurus Series



Model:

ES4025

ES4026

LED sources

Bridgelux/CREE

Optic

Lens.

Narrow, medium and wide beam angle available.

Body

Aluminium alloy

Driver

Lifud/eaglerise

Applications

Its unique pull-down mechanism, enables it to function as

either a downlight or a exposed lamp able to emulate a

surface or track fixture.

Application areas: retail, hotels, museums, window displays.

Size

CCT

LED power

Nominal Lumen

Beam Angle

φ 85*85*60

3000K/4000K/5000K

7W

70-75lm/W

15°, 24°, 36°, 55°

φ 100*100*60

3000K/4000K/5000K

7W

70-75lm/W

15°, 24°, 36°, 55°

Driver Options

D0 No Dim

DA Dali Dim

DC CASAMBI

D1 0-10V Dim

Finish

Bright black/white

Matt black/silver

White



Taurus Series



Model:
ES4027

LED sources

Bridgelux/CREE

Optic

Lens.

Narrow, medium and wide beam angle available.

Body

Aluminium alloy

Driver

Lifud/eaglerise

Applications

Its unique pull-down mechanism, enables it to function as either a downlight or a exposed lamp able to emulate a surface or track fixture.

Application areas: retail, hotels, museums, window displays.

Size

CCT

LED power

Nominal Lumen

Beam Angle

φ85*60

3000K/4000K/5000K

7W

70-75lm/W

15°, 24°, 36°, 55°

Driver Options

D0 No Dim

DA Dali Dim

DC CASAMBI

D1 0-10V Dim

Finish

Bright black/white

Matt black/silver

White



Taurus Series



Model:

ES4033

ES4033

LED sources

Bridgelux

Optic

Lens.

Narrow, medium and wide beam angle available.

Body

Aluminium alloy

Driver

Lifud/eaglerise

Applications

Its unique pull-down mechanism, enables it to function as either a downlight or a exposed lamp able to emulate a surface or track fixture.

Application areas: retail, hotels, museums, window displays.

Size

120*120*149

140*140*149

CCT

3000K/4000K/5000K

3000K/4000K/5000K

LED power

30-35W

30-35W

Nominal Lumen

70-75lm/W

70-75lm/W

Beam Angle

15°、24°、36°、55°

15°、24°、36°、55°

Driver Options

D0 No Dim

DA Dali Dim

DC CASAMBI

D1 0-10V Dim

Finish

Bright black/white

Matt black/silver

White



Taurus Series



Model:

ES4033

ES4033

LED sources

Bridgelux

Optic

Lens.

Narrow, medium and wide beam angle available.

Body

Aluminium alloy

Driver

Lifud/eaglerise

Applications

Its unique pull-down mechanism, enables it to function as either a downlight or a exposed lamp able to emulate a surface or track fixture.

Application areas: retail, hotels, museums, window displays.

Size

140*149

120*149

CCT

3000K/4000K/5000K

3000K/4000K/5000K

LED power

30-35W

30-35W

Nominal Lumen

70-75lm/W

70-75lm/W

Beam Angle

15°, 24°, 36°, 55°

15°, 24°, 36°, 55°

Driver Options

D0 No Dim

DA Dali Dim

DC CASAMBI

D1 0-10V Dim

Finish

Bright black/white

Matt black/silver

White



Taurus Series



Model:

ES4034

ES4034

LED sources

Bridgelux

Optic

Lens.

Narrow, medium and wide beam angle available.

Body

Aluminium alloy

Driver

Lifud/eaglerise

Applications

Its unique pull-down mechanism, enables it to function as either a downlight or a exposed lamp able to emulate a surface or track fixture.

Application areas: retail, hotels, museums, window displays.

Size

140*140*179

168*168*179

CCT

3000K/4000K/5000K

3000K/4000K/5000K

LED power

50-55W

50-55W

Nominal Lumen

70-75lm/W

70-75lm/W

Beam Angle

15°, 24°, 36°, 55°

15°, 24°, 36°, 55°

Driver Options

D0 No Dim

DA Dali Dim

DC CASAMBI

D1 0-10V Dim

Finish

Bright black/white

Matt black/silver

White



Taurus Series



Model:

ES4034

ES4034

LED sources

Bridgelux

Optic

Lens.

Narrow, medium and wide beam angle available.

Body

Aluminium alloy

Driver

Lifud/eaglerise

Applications

Its unique pull-down mechanism, enables it to function as either a downlight or a exposed lamp able to emulate a surface or track fixture.

Application areas: retail, hotels, museums, window displays.

Size

140*149

120*149

CCT

3000K/4000K/5000K

3000K/4000K/5000K

LED power

50-55W

50-55W

Nominal Lumen

70-75lm/W

70-75lm/W

Beam Angle

15°, 24°, 36°, 55°

15°, 24°, 36°, 55°

Driver Options

D0 No Dim

DA Dali Dim

DC CASAMBI

D1 0-10V Dim

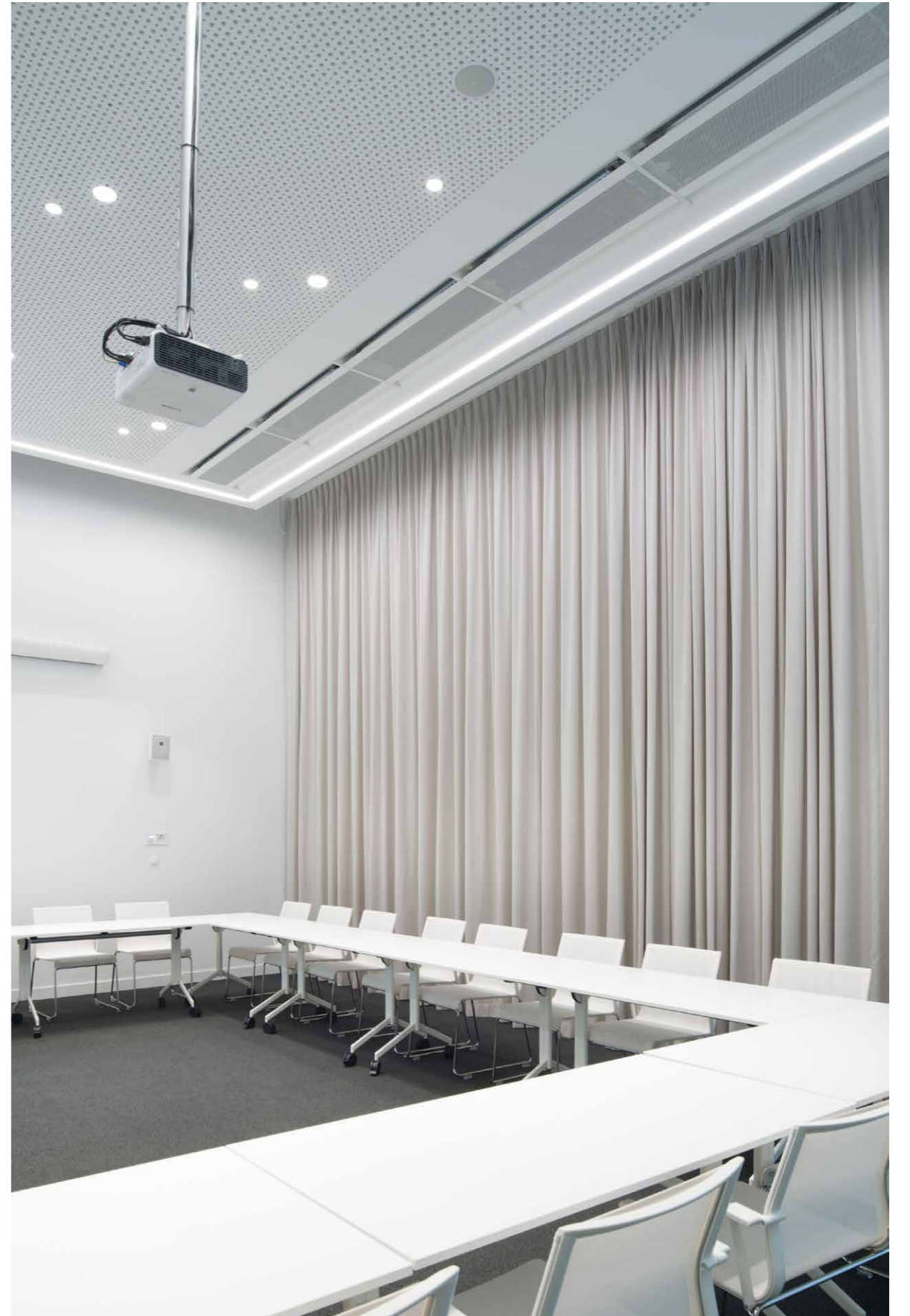
Finish

Bright black/white

Matt black/silver

White

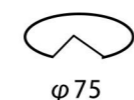




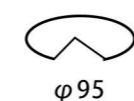
Levante Series



φ 68*55mm



φ 83*79mm



φ 100*95mm



Model:

ES5001

ES5002

ES5003

LED sources

CitizenCOB

Optic

Lens.

Narrow, medium and wide beam angle available.

Body

Aluminium diecasting

Driver

Lifud/eaglerise

Applications

Its unique pull-down mechanism, enables it to function as either a downlight or a exposed lamp able to emulate a surface or track fixture.

Application areas: retail, hotels, museums, window displays.

Size	CCT	LED power	Nominal Lumen	Beam Angle
φ55mm	2700K/3000K/4000K	5W	75lm/W	15°/24°
φ75mm	2700K/3000K/4000K	12W	75lm/W	15°/24°
φ95mm	2700K/3000K/4000K	20W	75lm/W	15°/24°

IP Rating

IP20

Input Voltage(V)

AC100-240V

Driver Options

D0 No Dim

DA Dali Dim

DC CASAMBI

D1 0-10V Dim

Finish

Bright black/white

Matt black/silver

White



Urus Series



Model

ES5007

ES5008

ES5009

LED sources

Bridgelux

Optic

Lens.

Narrow, medium and wide beam angle available.

Body

Aluminium diecasting

Driver

Lifud/eaglerise

Applications

Its unique pull-down mechanism, enables it to function as

either a downlight or a exposed lamp able to emulate a

surface or track fixture.

Application areas: retail, hotels, museums, window displays.

CRI

CCT

LED power

Nominal Lumen

Beam Angle

90	2700K/3000K/4000K/5000K	7W	70-75lm/W	15°, 24°, 36°, 55°
90	2700K/3000K/4000K/5000K	10W	70-75lm/W	15°, 24°, 36°, 55°
90	2700K/3000K/4000K/5000K	18W	70-75lm/W	15°, 24°, 36°, 55°

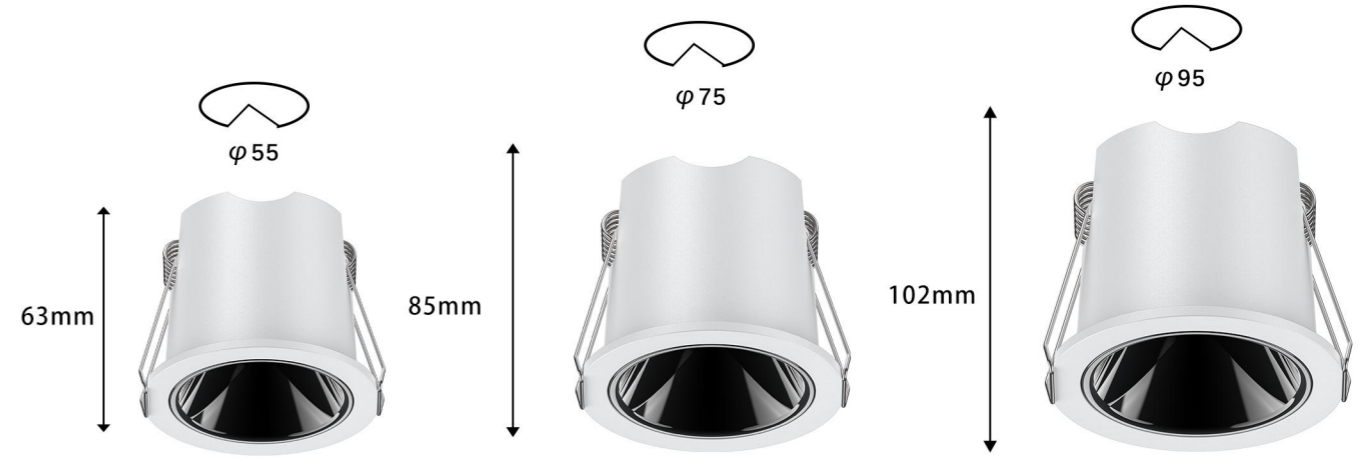
Driver Options

Antiglare cover color

DO No Dim	shiny silver/
DA Dali Dim	shiny black/
DC CASAMBI	matt silver
D1 0-10V Dim	



Urus Series



Model

ES5004

ES5005

ES5006

LED sources

Bridgelux

Optic

Lens.

Narrow, medium and wide beam angle available.

Driver

Lifud/eaglerise

Dimmable optional

Triac/0-10v/dali

Applications

Its unique pull-down mechanism, enables it to function as

either a downlight or a exposed lamp able to emulate a

surface or track fixture.

Application areas: retail, hotels, museums, window displays.

CRI

CCT

LED power

Nominal Lumen

Beam Angle

90	2700K/3000K/4000K/5000K	7W	70-75lm/W	15°, 24°, 36°, 55°
90	2700K/3000K/4000K/5000K	10W	70-75lm/W	15°, 24°, 36°, 55°
90	2700K/3000K/4000K/5000K	18W	70-75lm/W	15°, 24°, 36°, 55°

Driver Options

Antiglare cover color

D0 No Dim	shiny silver/
DA Dali Dim	shiny black/
DC CASAMBI	matt silver
D1 0-10V Dim	



Urus Series



Model

- EM-BL55L-12W
- EM-BL75L-20W
- EM-BL90L-30W

LED sources

Osram/CREE

Optic

Lens.

Narrow, medium and wide beam angle available.

Body

Aluminium diecasting

Driver

Lifud/eaglerise

Applications

Its unique pull-down mechanism, enables it to function as either a downlight or a exposed lamp able to emulate a surface or track fixture.

Application areas: retail, hotels, museums, window displays.

CRI	CCT	LED power	Nominal Lumen	Beam Angle
90	3000K/4000K/5000K	2*6W	70-75lm/W	15°, 24°, 36°, 55°
90	3000K/4000K/5000K	2*10W	70-75lm/W	15°, 24°, 36°, 55°
90	3000K/4000K/5000K	2*15W	70-75lm/W	15°, 24°, 36°, 55°

Driver Options

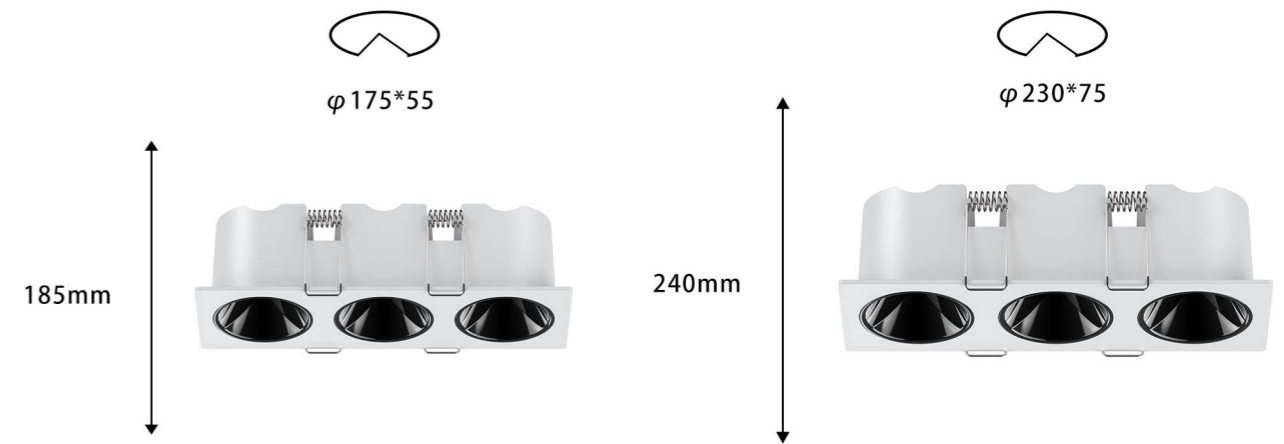
- D0 No Dim
- DA Dali Dim
- DC CASAMBI
- D1 0-10V Dim

Finish

- Black
- White
- Gold



Urus Series



Model

EM-BL55L-18W

EM-BL75L-30W

LED sources

Osram/CREE

Optic

Lens.

Narrow, medium and wide beam angle available.

Driver

Lifud/eaglerise

Applications

Its unique pull-down mechanism, enables it to function as

either a downlight or a exposed lamp able to emulate a

surface or track fixture.

Application areas: retail, hotels, museums, window displays.

Body

Aluminium diecasting

CRI	CCT	LED power	Nominal Lumen	Beam Angle
90	3000K/4000K/5000K	3*6w	70-75lm/W	15°、24°、36°、55°
90	3000K/4000K/5000K	3*10w	70-75lm/W	15°、24°、36°、55°

Driver Options

D0 No Dim

DA Dali Dim

DC CASAMBI

D1 0-10V Dim

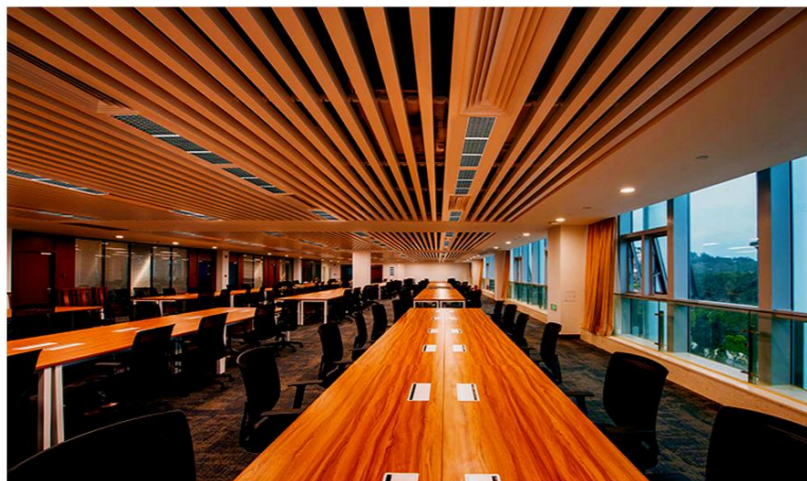
Finish

Bright black/white

Matt black/silver

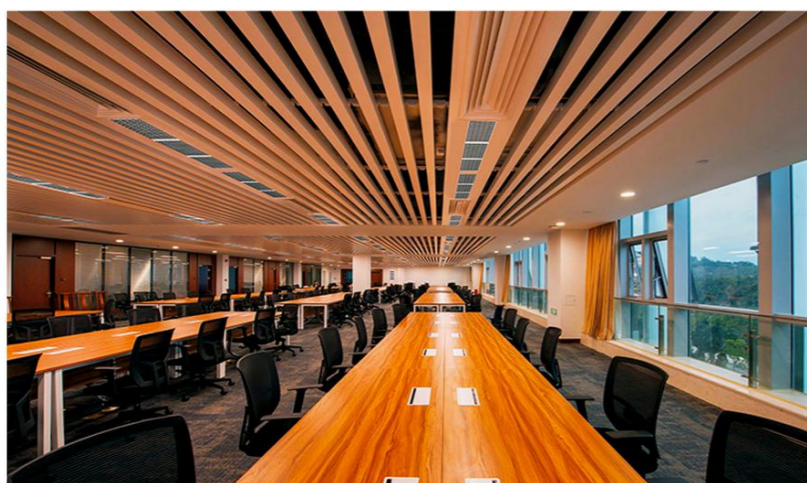
White





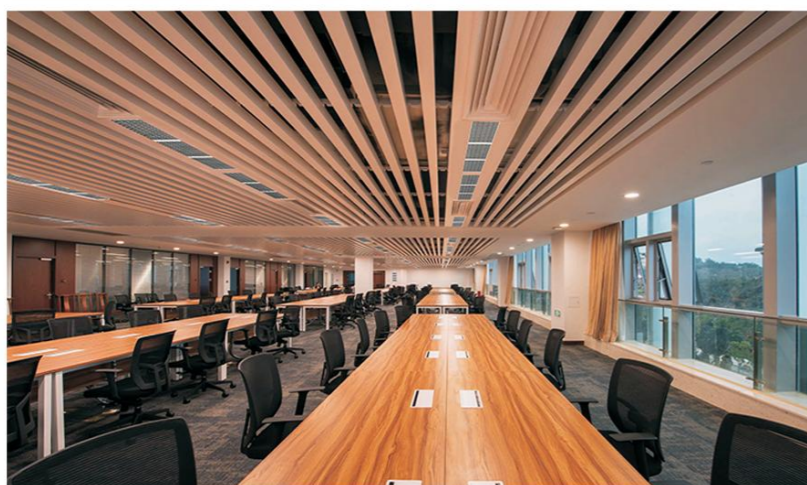
10% Intensity

1800K



50% Intensity

2500K







100% Intensity

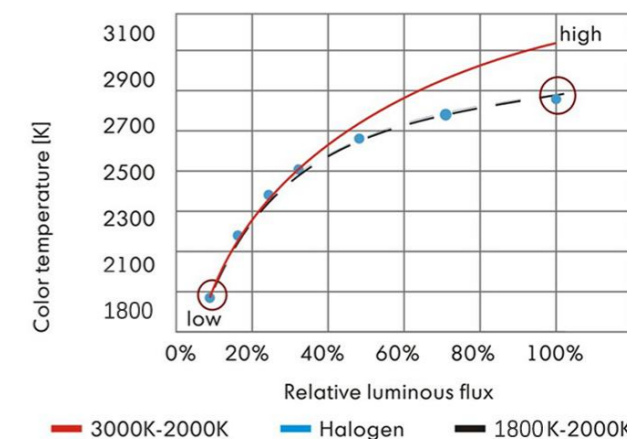
3000K

DIM-TO-WARM TECHNOLOGY REVIEW

Bright, crisp and clear lighting is usually desired but not all the time, particularly at a certain locations where different light levels are required accordingly based on different color temperatures. It's known that normal LED light fixture keep their color temperatures unchanged when it's dimmed, so some lighting designers usually go with incandescent and halogen lights that support smooth and natural dimming from white color to a warmer color. However, such move is also taken by compromising the energy use and operating

PARAMETERS

Photo	Name	Model	Power	CCT	Size	Cutout	Color	Beam angel
	Dim to warm LED light	EM55-Round	5-7W	1800-3000K	63*H52	55	White	15° 24° 38° 55° 80
	Dim to warm LED light	EM55-Square	5-7W	1800-3000K	63*63*52	55*55	White	15° 24° 38° 55° 80
	Dim to warm LED light	EM55-Square Two-heads	(5-7W)*2	1800-3000K	130*63*52	120*55	White	15° 24° 38° 55° 80
	Dim to warm LED light	EM55-Square Three-heads	(5-7W)*3	1800-3000K	185*63*52	175*55	White	15° 24° 38° 55° 80





● COB Anti Dizziness

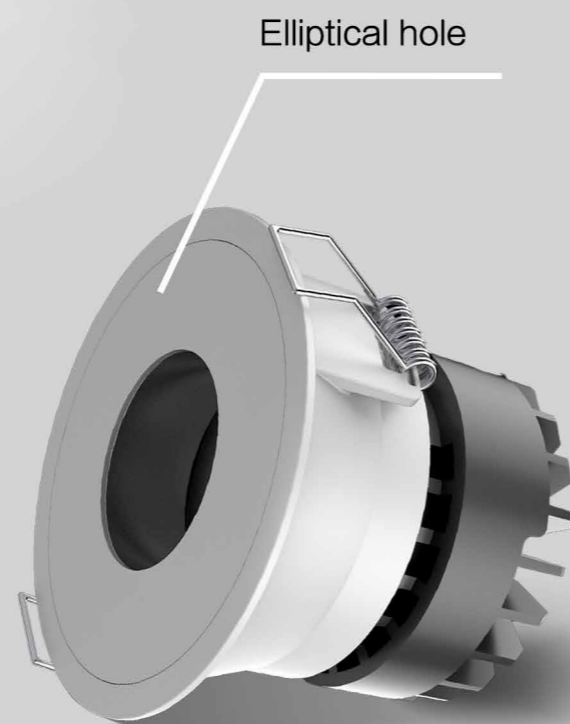
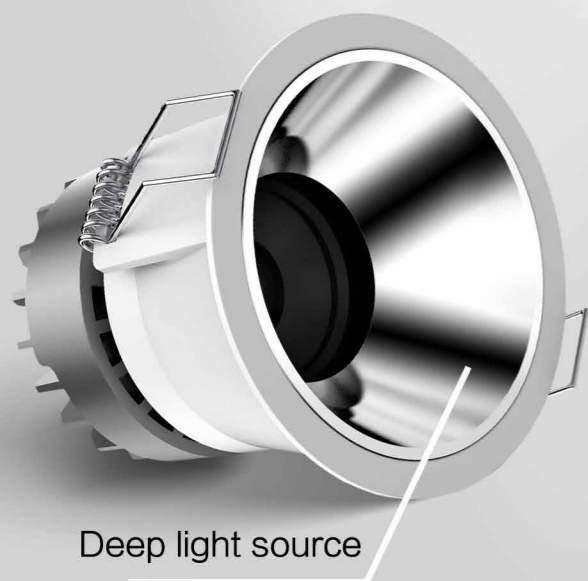
Applications:(Retail, Hotel, shopping mall, Hospital, Restaurant)



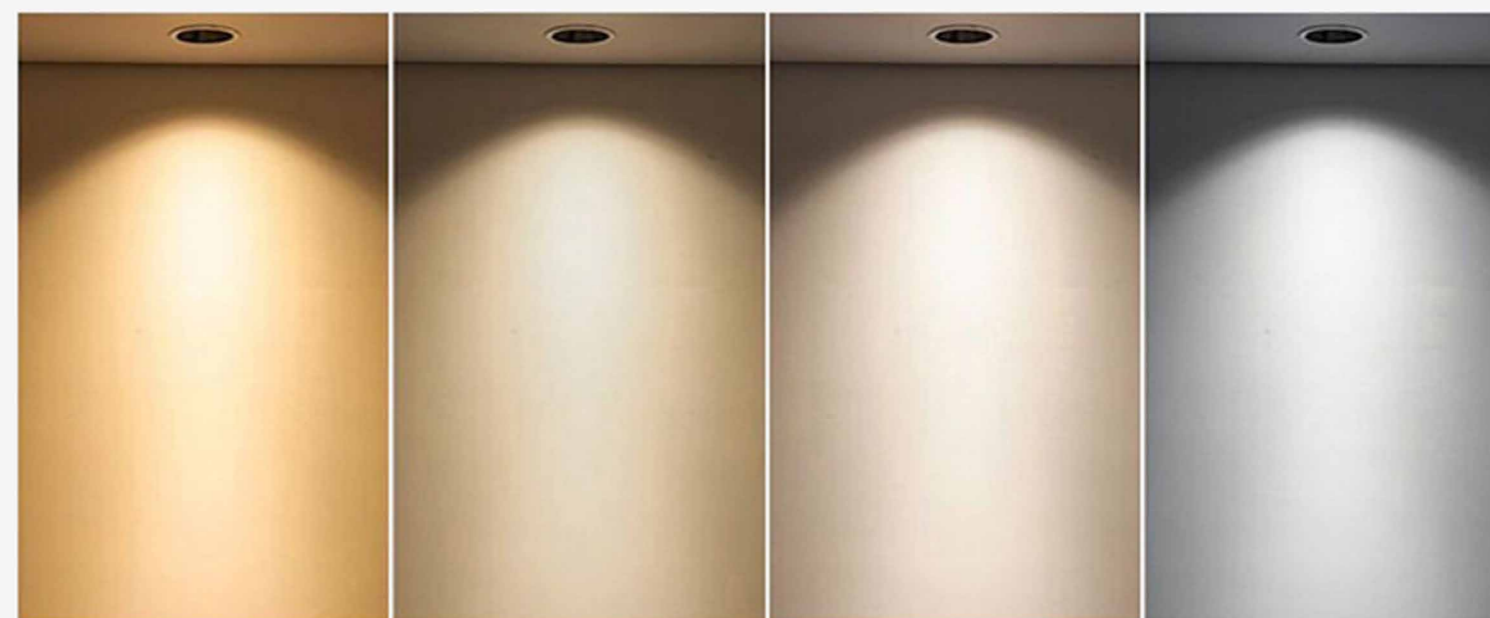
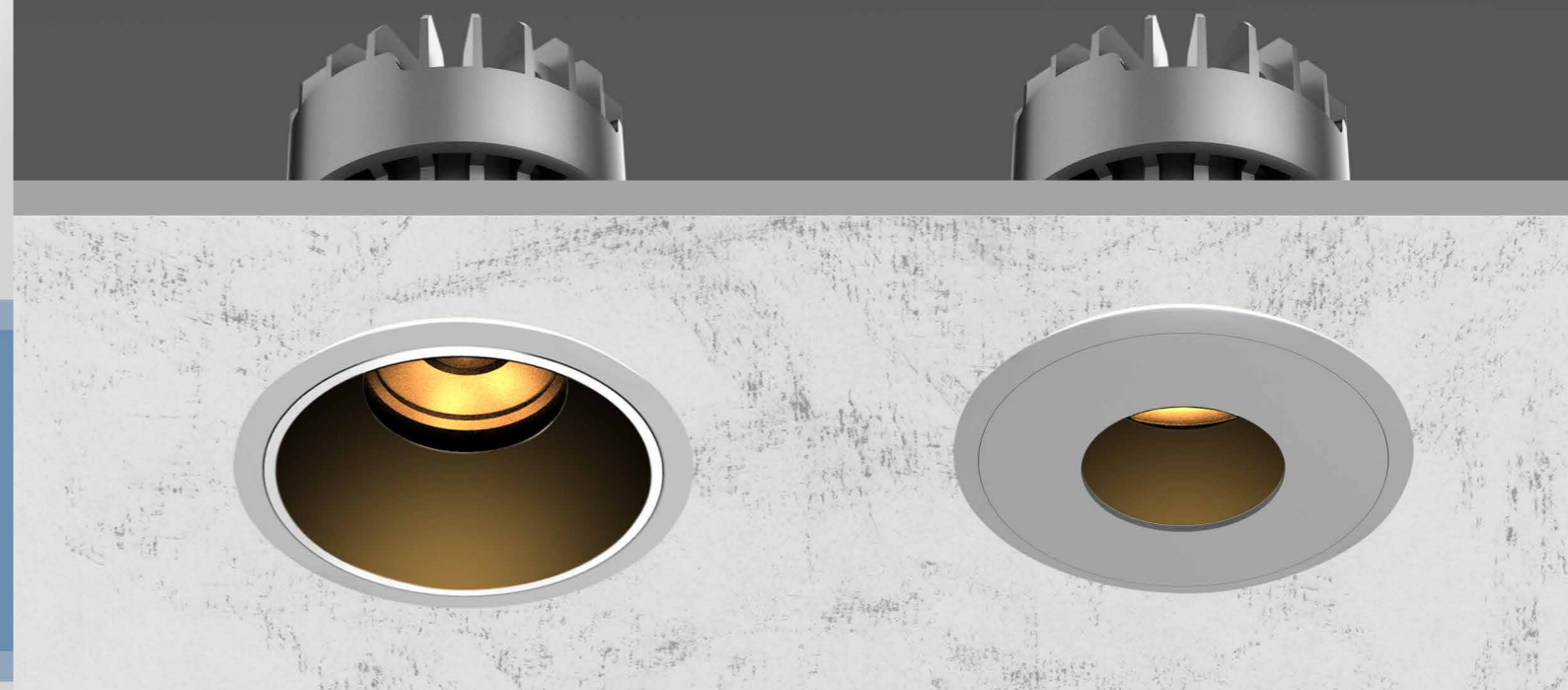
COB Anti Dizziness Down Light

- Double anti dazzle

- Deep tube optical hidden light design increases the distance between the light source and the luminous port, and effectively absorbs light



- Matching with anti glare cup and eye protection lens, it is healthy and eye protective



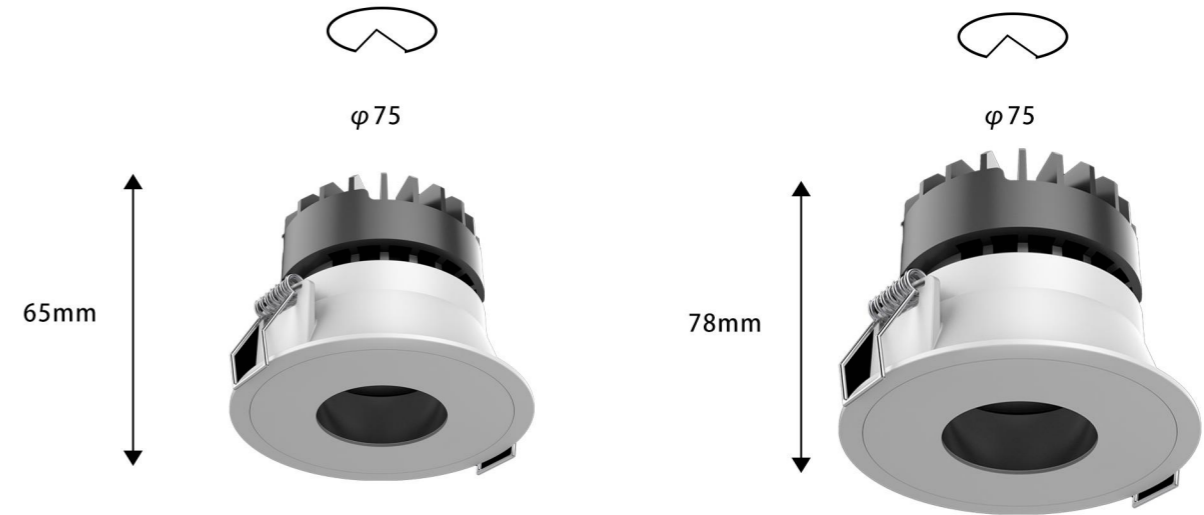
Warm
3000K

Warm white
3500K

Neutral
4000K

White
5000K

Roma Series



Model:

ES5015
ES5016

LED sources

Bridgelux/CREE

Optic

Lens.

Narrow, medium and wide beam angle available.

Driver

Lifud/eaglerise

Dimmable optional

Triac/0-10v/dali

Applications

Its unique pull-down mechanism, enables it to function as either a downlight or a exposed lamp able to emulate a surface or track fixture.

Application areas: retail, hotels, museums, window displays.

Size	CCT	LED power	Nominal Lumen	Beam Angle
φ83*H65	3000K/4000K/5000K	7W	75lm/w	8/15/24/36°
φ83*H78	3000K/4000K/5000K	10W	75lm/w	8/15/24/36°

Driver Options

D0 No Dim

DA Dali Dim

DC CASAMBI

D1 0-10V Dim

Antiglare cover color

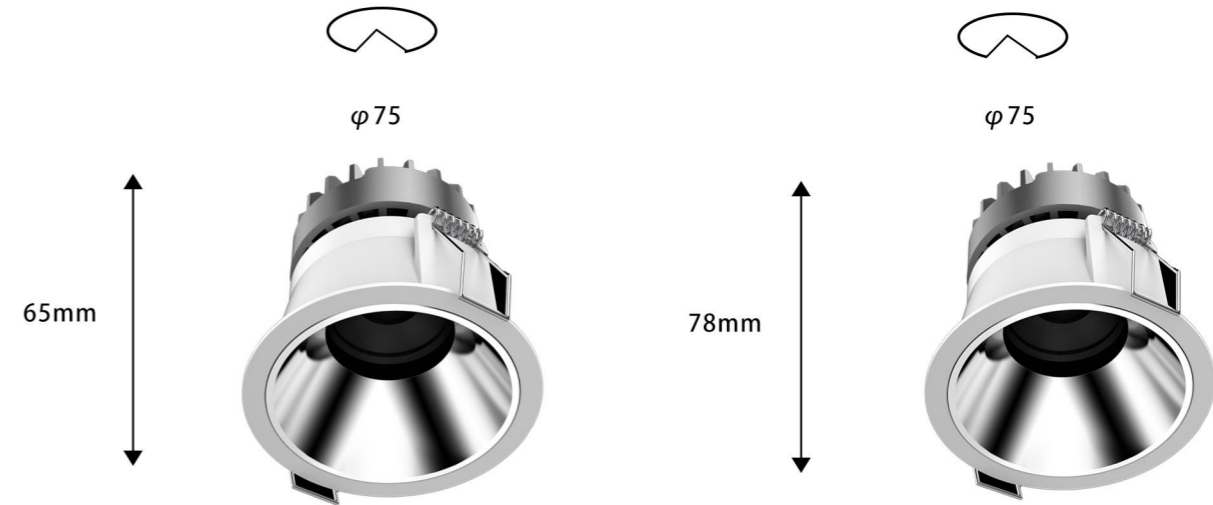
shiny silver/

shiny black/

matt silver



Roma Series



Model:

ES5017

ES5018

LED sources

Bridgelux

Optic

Lens.

Narrow, medium and wide beam angle available.

Driver

Lifud/eaglerise

Dimmable optional

Triac/0-10v/dali

Applications

Its unique pull-down mechanism, enables it to function as either a downlight or a exposed lamp able to emulate a surface or track fixture.

Application areas: retail, hotels, museums, window displays.

Size

CCT

LED power

Nominal Lumen

Beam Angle

φ83*H65

3000K/4000K/5000K

7W

75lm/w

8/15/24/36°

φ83*H78

3000K/4000K/5000K

10W

75lm/w

8/15/24/36°

Driver Options

D0 No Dim

DA Dali Dim

DC CASAMBI

D1 0-10V Dim

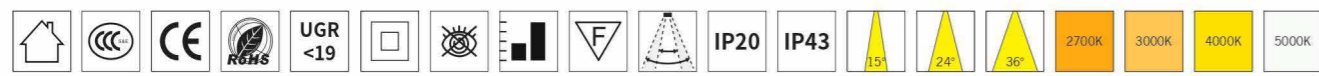
Antiglare cover color

shiny silver/

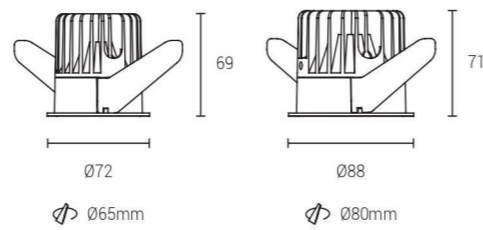
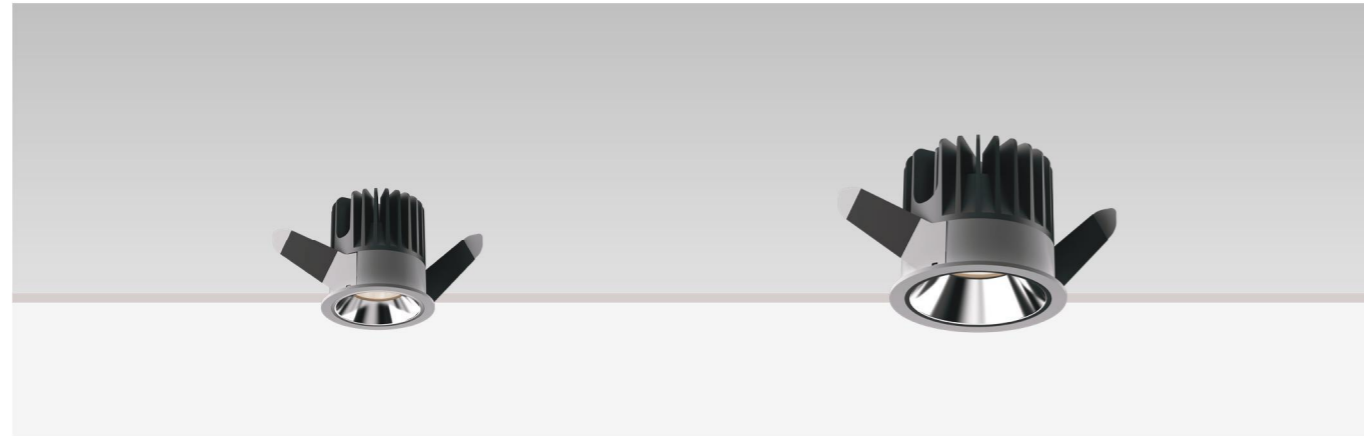
shiny black/

matt silver





Dawn

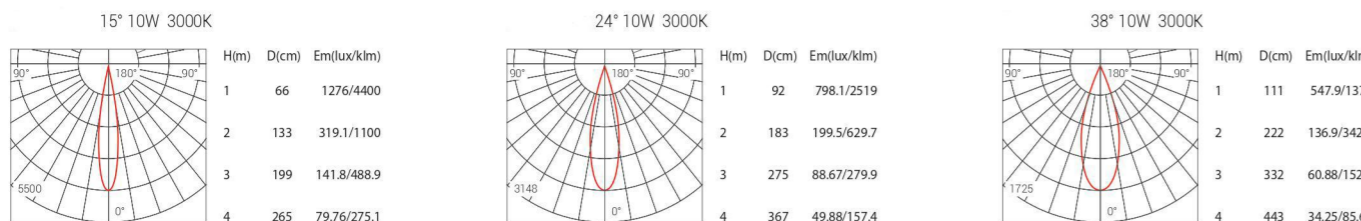


Dawn

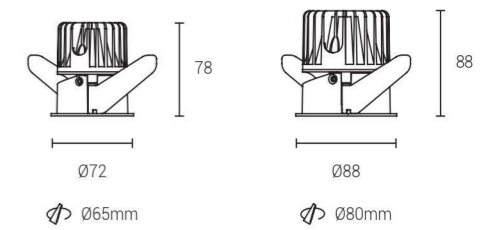
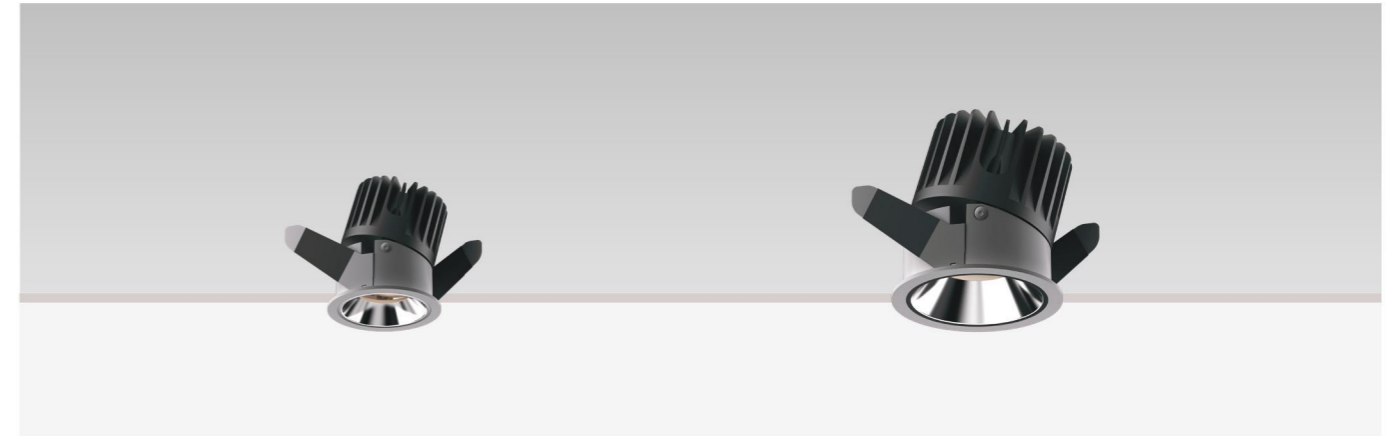
Model	ES5019	ES5020
Power	10W	15W
Hole cut	φ65mm	φ80mm
LED source	Bridgelux	Bridgelux
Size	φ72x69mm	φ88x71mm

UGR	<19	<19
CRI	≥80/≥90	≥80/≥90
Beam angle	15°/24°/36°	15°/24°/36°

CCT	2700K/3000K/4000K/5000K	2700K/3000K/4000K/5000K
Luminous flux	850lm	1275lm
Warranty	50000h	50000h
IP	IP20/IP65	IP20/IP65



Dawn

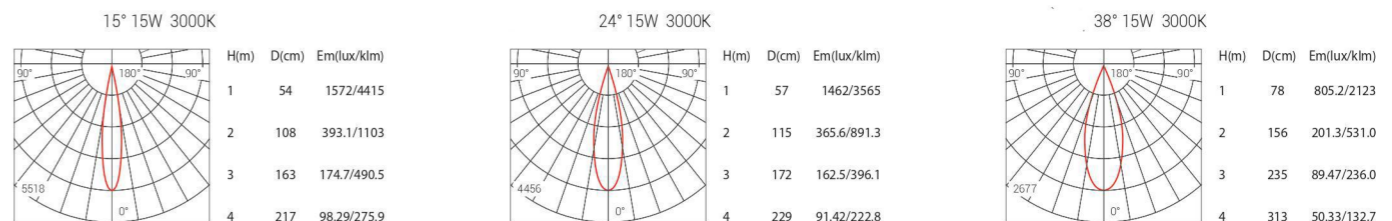


Dawn

Model	ES5021	ES5022
Power	10W	15W
Hole cut	φ65mm	φ80mm
LED source	Bridgelux	Bridgelux
Size	φ72x78mm	φ88x88mm

UGR	<19	<19
CRI	≥80/≥90	≥80/≥90
Beam angle	15°/24°/36°	15°/24°/36°

CCT	2700K/3000K/4000K/5000K	2700K/3000K/4000K/5000K
Luminous flux	850lm	1275lm
Warranty	50000h	50000h
IP	IP20/IP65	IP20/IP65





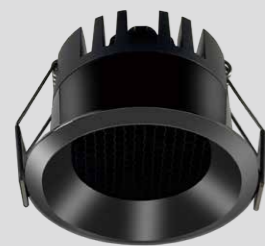
Dawn Series

Wattage: 5W/7W/10W

Cut out: Φ 55/ Φ 65/ Φ 75

Beam Angle: 15D/24D/36D





Adjustable recessed linear mini spot light

Features

- Easy to install
- Long lifespan
- Clean beam angle
- Four different colors

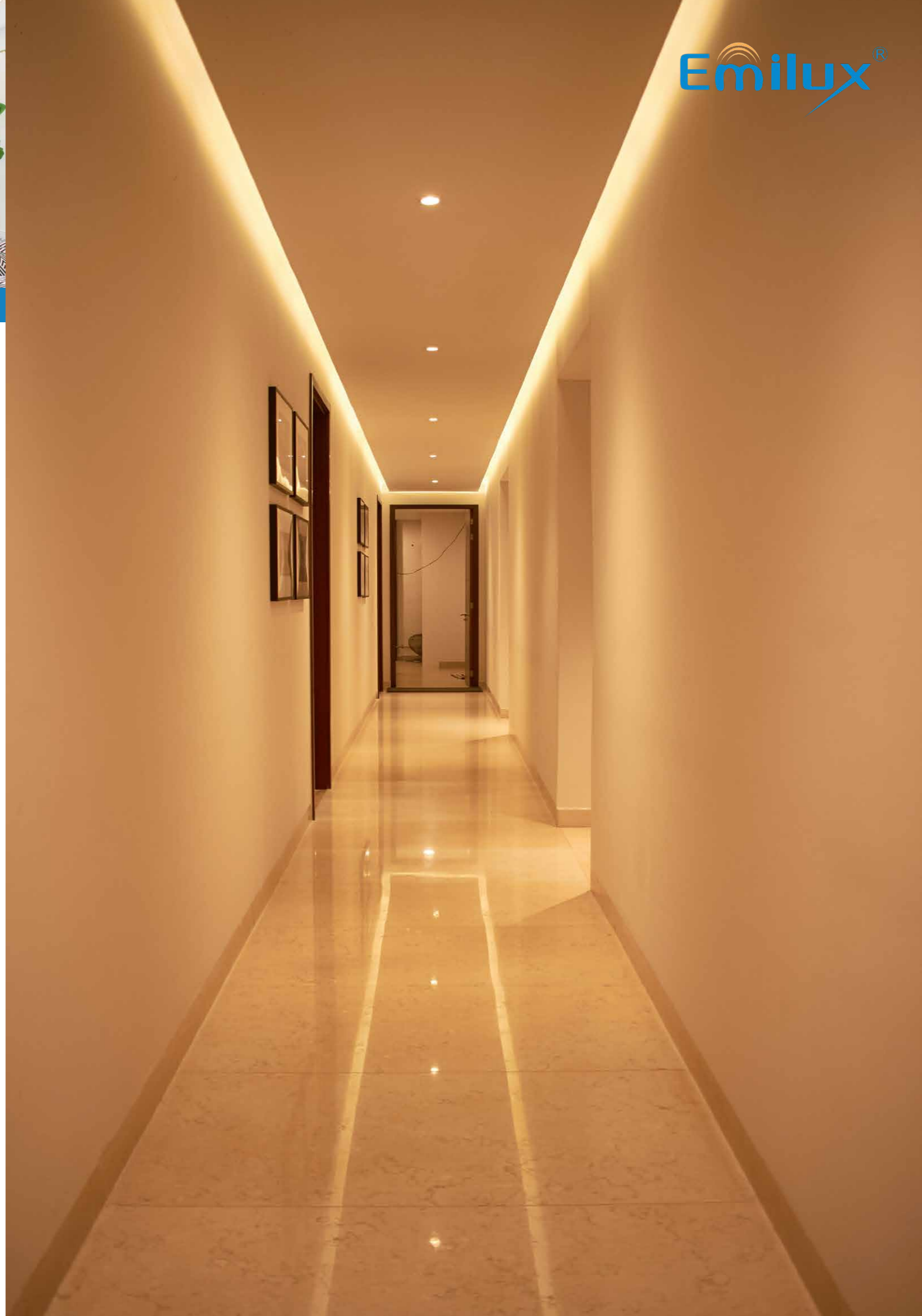
Application



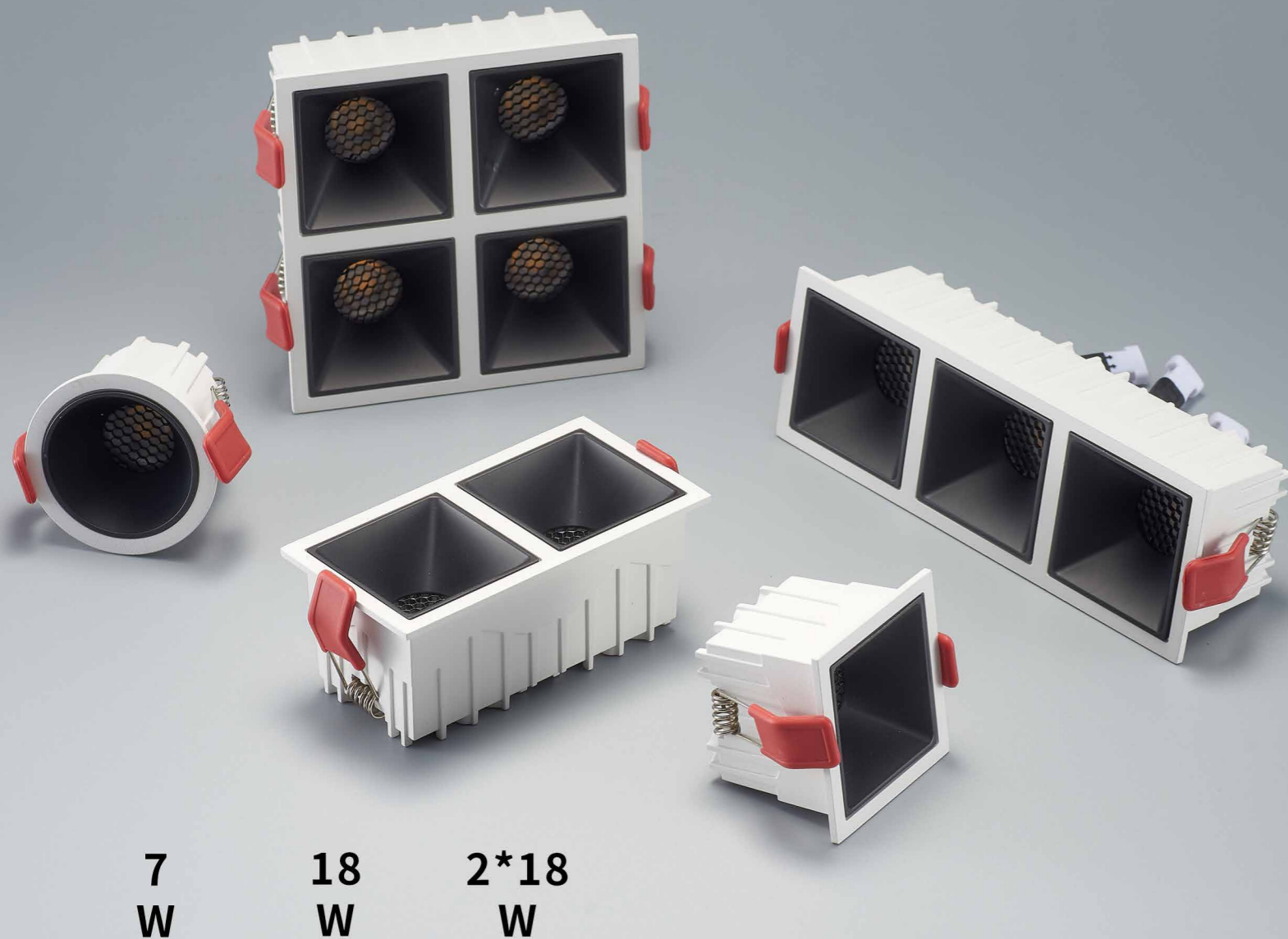
Parameter

Dawn Series ES5026 ES5027 ES5028

Wattage	Driver	Input Voltage	LED source	Dimdriver
5W/7W/10W	Eaglerise/OSRAM/Tridonic	AC220-240V	Bridgelux/CREE	Triac/0-10V/Dali 2
Beam angle	CRI	CCT	UGR	Efficacy
15D/24D/36D	80/90/95 optional	3000K/4000K/5000K	< 19	60-90 lumens per watt
Cut out(mm)	Body color	Reflector color	Materials	IP
φ 55/ φ 65/ φ 75mm	White/Black	White/Black/Silver/Gold	Alumnnium Diecastingong	44

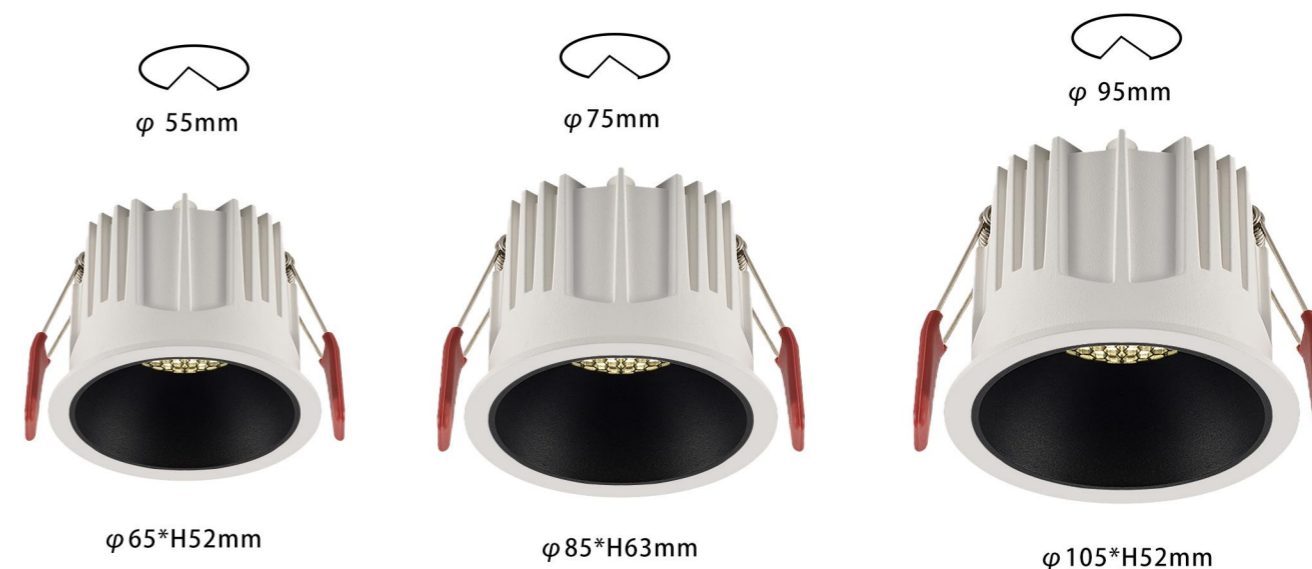


Recessed Spot Lights



- Honeycomb anti-glare
- CRI 93 Rich color lighting
- Deep light source anti glare design
- Humanized heat dissipation with good heat dissipation performance

Virage Series



Model:

ES6001

ES6006

ES6011

LED sources

Bridgelux/CREE

Optic

Lens.

Narrow, medium and wide beam angle available.

Driver

Lifud/eaglerise

Body

White/Black/red

Applications

Its unique pull-down mechanism, enables it to function as either a downlight or a exposed lamp able to emulate a surface or track fixture.

Application areas: retail, hotels, museums, window displays.

Size

CCT

LED power

Nominal Lumen

Beam Angle

Size	CCT	LED power	Nominal Lumen	Beam Angle
φ 65*H52mm	3000K/4000K/5000K	7W	70-75LM/W	15°/24°/36°
φ 85*H63mm	3000K/4000K/5000K	12w	70-75LM/W	15°/24°/36°
φ 105*H52mm	3000K/4000K/5000K	20w	70-75LM/W	15°/24°/36°

Driver Options

D0 No Dim

DA Dali Dim

DC CASAMBI

D1 0-10V Dim

Finish

White/Black



Virage Series



Model:

ES6002

ES6007

RS6012

LED sources

Bridgelux/CREE

Optic

Lens.

Narrow, medium and wide beam angle available.

Body

White/Black/red

Driver

Lifud/eaglerise

Applications

Its unique pull-down mechanism, enables it to function as either a downlight or a exposed lamp able to emulate a surface or track fixture.

Application areas: retail, hotels, museums, window displays.

Size	CCT	LED power	Nominal Lumen	Beam Angle
φ55*55	3000K/4000K/5000K	7W	70-75LM/W	12°/24°/36°
φ 75*75mm	3000K/4000K/5000K	12w	70-75LM/W	12°/24°/36°
φ 95*95mm	3000K/4000K/5000K	20w	70-75LM/W	12°/24°/36°

Driver Options

D0 No Dim

DA Dali Dim

DC CASAMBI

D1 0-10V Dim

Finish

White/Black



Virage Series



Model:

ES6003

ES6008

ES6013

LED sources

Bridgelux/CREE

Optic

Lens.

Narrow, medium and wide beam angle available.

Body

White/Black/red

Driver

Lifud/eaglerise

Applications

Its unique pull-down mechanism, enables it to function as either a downlight or a exposed lamp able to emulate a surface or track fixture.

Application areas: retail, hotels, museums, window displays.

Size

CCT

LED power

Nominal Lumen

Beam Angle

Size	CCT	LED power	Nominal Lumen	Beam Angle
65*125*H52mm	3000K/4000K/5000K	7*2W	70-75LM/W	12°/24°/36°
85*167*H63mm	3000K/4000K/5000K	12*2w	70-75LM/W	12°/24°/36°
105*208*H77mm	3000K/4000K/5000K	20*2w	70-75LM/W	12°/24°/36°

Driver Options

D0 No Dim

DA Dali Dim

DC CASAMBI

D1 0-10V Dim

Finish

White/Black



Virage Series



φ 55*175mm

65*187*H52mm



φ 75*235mm

85*242*H63mm

Model:

ES6004

ES6009

LED sources

Bridgelux/CREE

Optic

Lens.

Narrow, medium and wide beam angle available.

Body

White/Black/red

Driver

Lifud/eaglerise

Applications

Its unique pull-down mechanism, enables it to function as either a downlight or a exposed lamp able to emulate a surface or track fixture.

Application areas: retail, hotels, museums, window displays.

Size

CCT

LED power

Nominal Lumen

Beam Angle

65*187*H52mm

3000K/4000K/5000K

7*3W

70-75LM/W

12°/24°/36°

85*242*H63mm

3000K/4000K/5000K

12*3w

70-75LM/W

12°/24°/36°

Driver Options

D0 No Dim

DA Dali Dim

DC CASAMBI

D1 0-10V Dim

Finish

White/Black



Virage Series



126*126*H52mm

166*166*H63mm

Model:

ES6005

ES6010

LED sources

Bridgelux/CREE

Optic

Lens.

Narrow, medium and wide beam angle available.

Body

White/Black/red

Driver

Lifud/eaglerise

Applications

Its unique pull-down mechanism, enables it to function as either a downlight or a exposed lamp able to emulate a surface or track fixture.

Application areas: retail, hotels, museums, window displays.

Size

CCT

LED power

Nominal Lumen

Beam Angle

126*126*H52mm

3000K/4000K/5000K

7*4W

70-75LM/W

12°/24°/36°

166*166*H63mm

3000K/4000K/5000K

12*4w

70-75LM/W

12°/24°/36°

Driver Options

D0 No Dim

DA Dali Dim

DC CASAMBI

D1 0-10V Dim

Finish

White/Black



Boxster Series



Model:

ES6014

ES6015

ES6021

Body

White/Black

LED sources

Bridgelux/CREE

Optic

Lens.

Narrow, medium and wide beam angle available.

Driver

Lifud/eaglerise

Applications

Its unique pull-down mechanism, enables it to function as either a downlight or a exposed lamp able to emulate a surface or track fixture.

Application areas: retail, hotels, museums, window displays.

Size

CCT

LED power

Nominal Lumen

Beam Angle

Size	CCT	LED power	Nominal Lumen	Beam Angle
85*H65mm	3000K/4000K/5000K	7W	70-75LM/W	15°/24°/36°
85*H65mm	3000K/4000K/5000K	10w	70-75LM/W	15°/24°/36°
105*H78mm	3000K/4000K/5000K	18w	70-75LM/W	15°/24°/36°

Driver Options

D0 No Dim

DA Dali Dim

DC CASAMBI

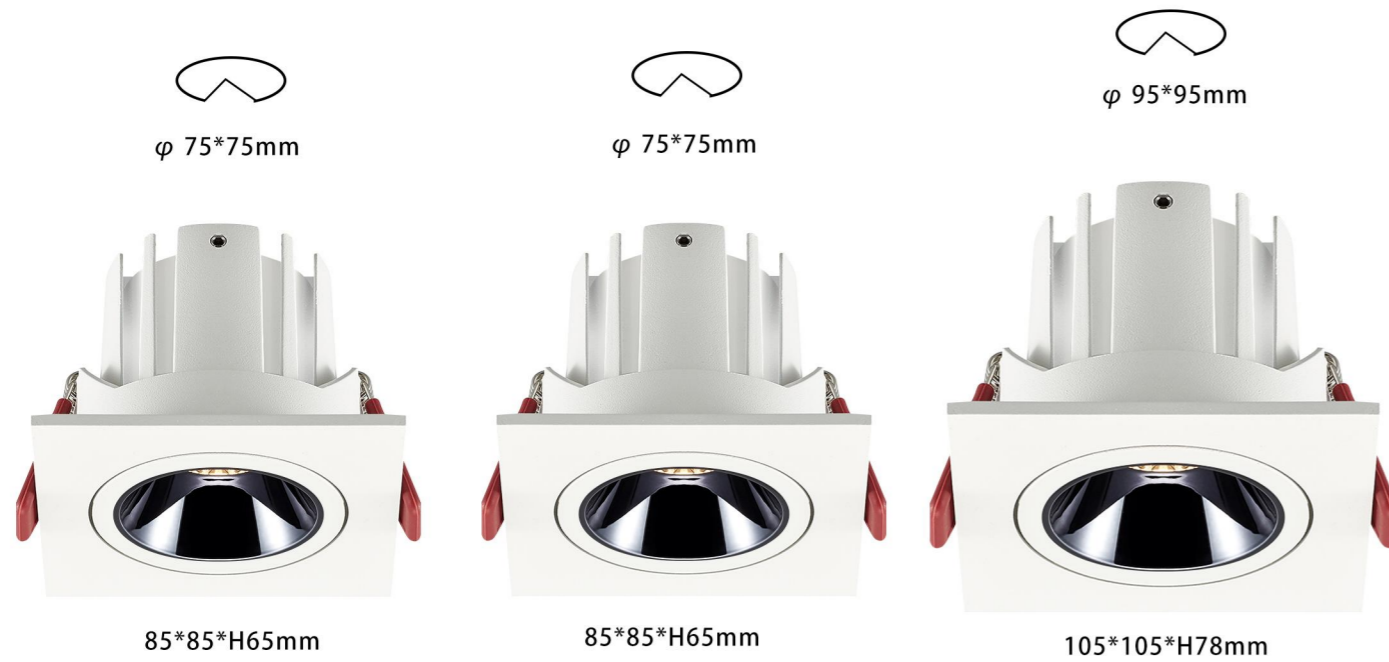
D1 0-10V Dim

Finish

White/Black



Boxster Series



Model:

ES6016

ES6017

ES6022

LED sources

Bridgelux/CREE

Optic

Lens.

Narrow, medium and wide beam angle available.

Body

White/Black

Driver

Lifud/eaglerise

Applications

Its unique pull-down mechanism, enables it to function as

either a downlight or a exposed lamp able to emulate a

surface or track fixture.

Application areas: retail, hotels, museums, window displays.

Size

CCT

LED power

Nominal Lumen

Beam Angle

Size	CCT	LED power	Nominal Lumen	Beam Angle
85*85*H65mm	3000K/4000K/5000K	7W	70-75LM/W	15°/24°/36°
85*85*H65mm	3000K/4000K/5000K	10w	70-75LM/W	15°/24°/36°
105*105*H78mm	3000K/4000K/5000K	18w	70-75LM/W	15°/24°/36°

Driver Options

D0 No Dim

DA Dali Dim

DC CASAMBI

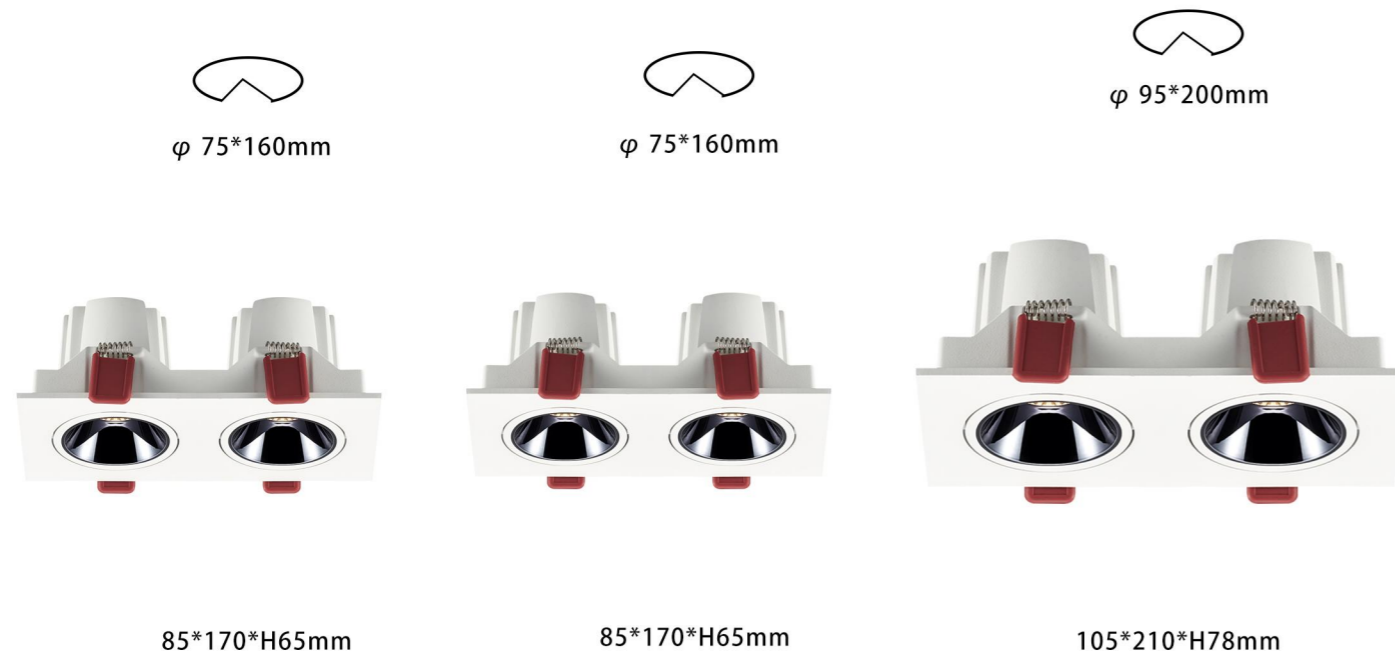
D1 0-10V Dim

Finish

White/Black



Boxster Series



Model:

ES6018

ES6019

ES6023

LED sources

Bridgelux/CREE

Optic

Lens.

Narrow, medium and wide beam angle available.

Body

White/Black

Driver

Lifud/eaglerise

Applications

Its unique pull-down mechanism, enables it to function as either a downlight or a exposed lamp able to emulate a surface or track fixture.

Application areas: retail, hotels, museums, window displays.

Size

CCT

LED power

Nominal Lumen

Beam Angle

Size	CCT	LED power	Nominal Lumen	Beam Angle
85*85*H65mm	3000K/4000K/5000K	7*2W	70-75LM/W	15°/24°/36°
85*85*H65mm	3000K/4000K/5000K	10*2w	70-75LM/W	15°/24°/36°
105*105*H78mm	3000K/4000K/5000K	18*2w	70-75LM/W	15°/24°/36°

Driver Options

D0 No Dim

DA Dali Dim

DC CASAMBI

D1 0-10V Dim

Finish

White/Black



Panamera Series



75mm



75mm

84*58mm

84*58mm

Model:
ES6024

LED sources

Bridgelux/CREE

Optic

Lens.

Narrow, medium and wide beam angle available.

Body

Aluminium diecasting

Driver

Lifud/eaglerise

Applications

Its unique pull-down mechanism, enables it to function as either a downlight or a exposed lamp able to emulate a surface or track fixture.

Application areas: retail, hotels, museums, window displays.

Size

CCT

LED power

Nominal Lumen

Beam Angle

84*H58mm

3000K/4000K/5000K

12W

70-75lm/W

24°/36°

84*H58mm

3000K/4000K/5000K

12W

70-75lm/W

24°/36°

Driver Options

D0 No Dim

DA Dali Dim

DC CASAMBI

D1 0-10V Dim

Finish

Bright black/white



Panamera Series



75*75mm

84*84*58mm



75*75mm

84*84*58mm

Model:
ES6025

LED sources

Bridgelux/CREE

Optic

Lens.

Narrow, medium and wide beam angle available.

Body

Aluminium diecasting

Driver

Lifud/eaglerise

Applications

Its unique pull-down mechanism, enables it to function as either a downlight or a exposed lamp able to emulate a surface or track fixture.

Application areas: retail, hotels, museums, window displays.

Size

CCT

LED power

Nominal Lumen

Beam Angle

84*84*H58mm

3000K/4000K/5000K

12W

70-75lm/W

24°/36°

84*84*H58mm

3000K/4000K/5000K

12W

70-75lm/W

24°/36°

Driver Options

D0 No Dim

DA Dali Dim

DC CASAMBI

D1 0-10V Dim

Finish

Bright black/white



Panamera Series



Model:
ES6026

LED sources

Bridgelux/CREE

Optic

Lens.

Narrow, medium and wide beam angle available.

Body

Aluminium diecasting

Driver

Lifud/eaglerise

Applications

Its unique pull-down mechanism, enables it to function as either a downlight or a exposed lamp able to emulate a surface or track fixture.

Application areas: retail, hotels, museums, window displays.

Size	CCT	LED power	Nominal Lumen	Beam Angle
84*170*58mm	3000K/4000K/5000K	2*12W	70-75lm/W	24°/36°
84*248*58mm	3000K/4000K/5000K	2*12W	70-75lm/W	24°/36°

Driver Options

- D0 No Dim
- DA Dali Dim
- DC CASAMBI
- D1 0-10V Dim

Finish

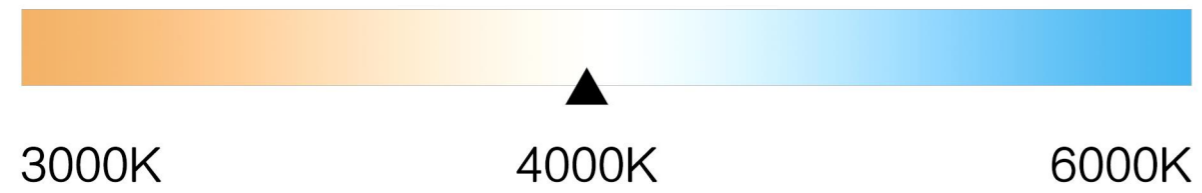
Bright black/white



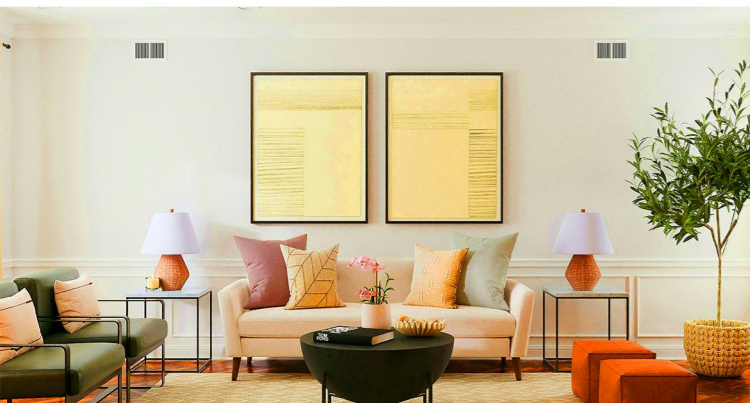


3 CCT CHANGEABLE SMD SPOT LIGHTS

3 CCT CHANGEABLE SMD DOWN LIGHTS



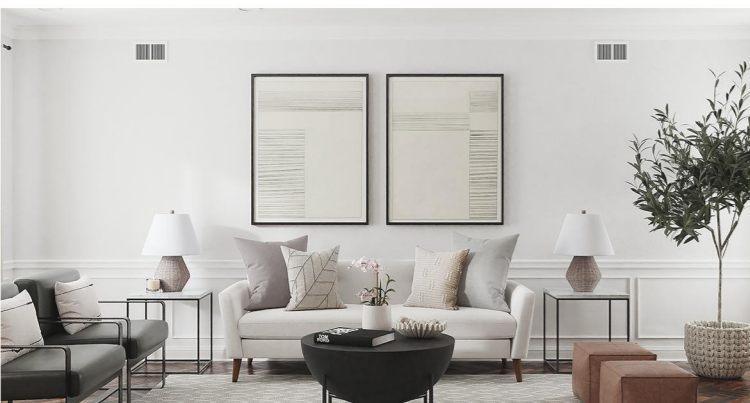
- With adjustable three color temperature on light
- Multiple color temperatures match different scenes



■ 3000K



■ 4000K



■ 6000K

3000K: Warm light
Create a warm scene
More warm and intimate to
create an atmosphere

6000K: White light
High color rendering
Create a fresh and
bright lighting environment



■ Trichromatic temperature

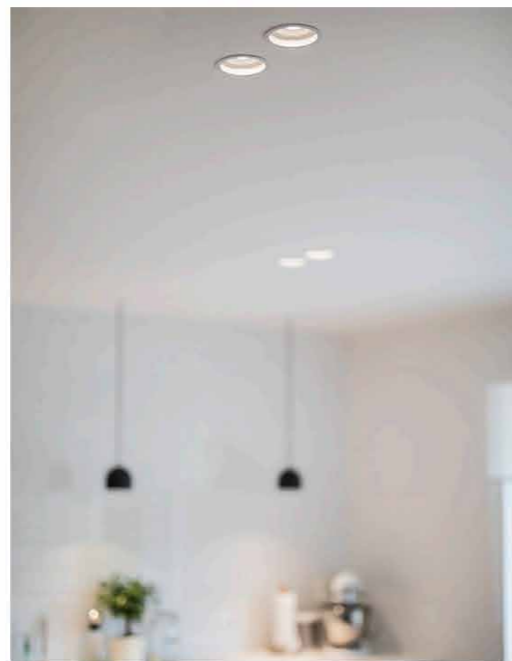
■ Quick replacement drive

■ Adapt to different scenarios

4000K: Neutral light
Closer to natural color
Natural, comfortable and soft



3 CCT CHANGEABLE
SMD DOWN LIGHTS



■ Cayman Series



IP65 Waterproof & Antiglare cob downlights

IP65 Waterproof & Antiglare cob downlights

Features

- Easy to install
- Long lifespan
- Clean beam angle
- Flexible to highlight objects

Application



Features

- Easy to install
- Long lifespan
- Clean beam angle
- Flexible to highlight objects

Application



Parameter

Wattage	Driver	Input Voltage	LED source	Size
5W	Eaglerise/OSRAM/Tridonic	AC220-240V	Bridgelux/CREE/OSRAM	φ 65x40mm
Beam angle	CRI	CCT	UGR	Efficacy
95°	≥90	3000K/4000K/6000K	< 19	90lm/W
Cut out(mm)	Body color	Reflector color	Materials	IP
φ 55mm	White/Black	White/Black/Silver/Gold	Alumnum Diecasting	44

Parameter

Wattage	Driver	Input Voltage	LED source	Size
7W	Eaglerise/OSRAM/Tridonic	AC220-240V	Bridgelux/CREE/OSRAM	φ 83*45mm
Beam angle	CRI	CCT	UGR	Efficacy
95°	≥50	3000K/4000K/6000K	< 19	80lm/w
Cut out(mm)	Body color	Reflector color	Materials	IP
φ 75mm	White/Black	White/Black/Silver/Gold	Alumnum Diecasting	44





IP65 Waterproof & Antiglare cob downlights

IP65 Waterproof & Antiglare cob downlights

Features

- Easy to install
- Long lifespan
- Clean beam angle
- Flexible to highlight objects

Application



Features

- Easy to install
- Long lifespan
- Clean beam angle
- Flexible to highlight objects

Application



Parameter

Wattage	Driver	Input Voltage	LED source	Size
12W	Eaglerise/OSRAM/Tridonic	AC220-240V	Bridgelux/CREE/OSRAM	φ 105*52mm
Beam angle	CRI	CCT	UGR	Efficacy
95°	≥90	3000K/4000K/6000K	< 19	
Cut out(mm)	Body color	Reflector color	Materials	IP
φ 92mm	White/Black	White/Black/Silver/Gold	Aluminium Diecasting	44

Parameter

Wattage	Driver	Input Voltage	LED source	Size
18W	Eaglerise/OSRAM/Tridonic	AC220-240V	Bridgelux/CREE/OSRAM	φ 128*67mm
Beam angle	CRI	CCT	UGR	Efficacy
95°	≥50	3000K/4000K/6000K	< 19	80lm/w
Cut out(mm)	Body color	Reflector color	Materials	IP
φ 115mm	White/Black	White/Black/Silver/Gold	Aluminium Diecasting	44





IP65 Waterproof & Antiglare COB downlights

Features

- Easy to install
- Long lifespan
- Clean beam angle
- Flexible to highlight objects

Application



Parameter

Wattage	Driver	Input Voltage	LED source	Size
24W	Eaglerise/OSRAM/Tridonic	AC220-240V	Bridgelux/CREE/OSRAM	φ 175*74mm
Beam angle	CRI	CCT	UGR	Efficacy
90°	≥90°	3000K/4000K/6000K	< 19	80lm/w
Cut out(mm)	Body color	Reflector color	Materials	IP
φ 155mm	White/Black	White/Black/Silver/Gold	Aluminium Diecasting	20



LED high transmittance light source
Create a comfortable light environment



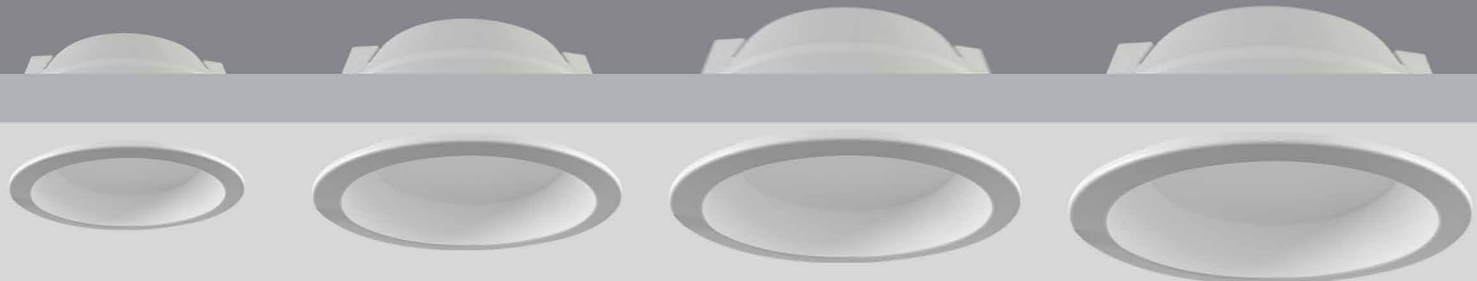
Uniform lighting, high brightness, no video flash
The irradiation surface is simple and clean.
No stray light and black spots



SMD DOWN LIGHT

Indoor lighting solutions

Applications:(Retail、 Hotel、 shopping mall、 Hospital、 Restaurant



φ 100mm

φ 140mm

φ 200mm

- Uniform light output of basic lighting
- Soft light improves overall space brightness
- High quality alloy aluminum, excellent heat dissipation effect
- The lamp body is anodized with aluminum and zinc, which is corrosion-resistant
- Area used: hotels, home lighting, shopping malls and other places

LED SMD DOWN LIGHT

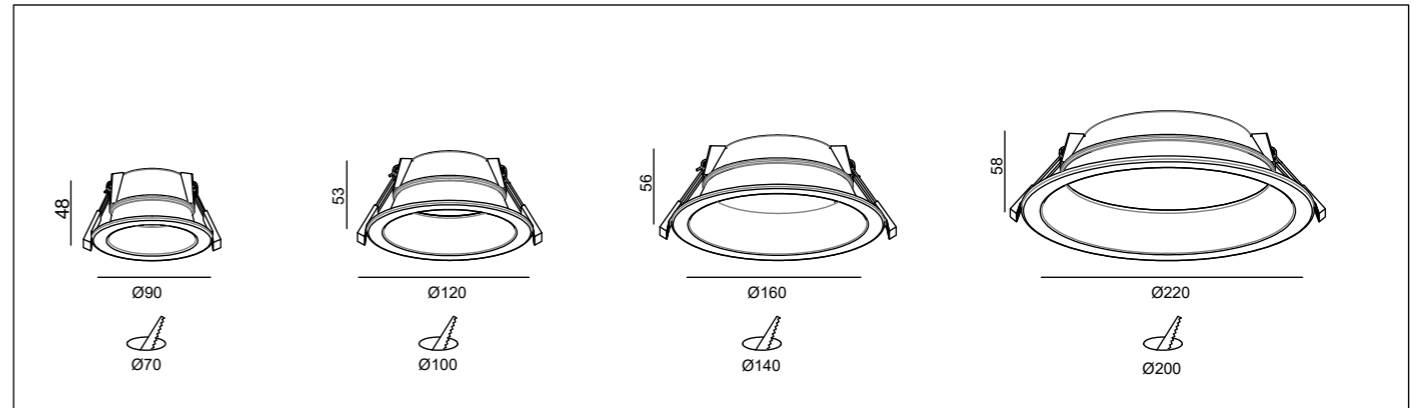
Parameter

Model No.	ED1006	ED1007	ED1008	ED1009/1010
Product Photo				
Dimension(mm)				
Cut out(mm)	φ 70mm	φ 100mm	φ 140mm	φ 200mm
Wattage	7W	10W	15W	24W/36W
CCT	3000/4000/5700	3000/4000/5700	3000/4000/5700	3000/4000/5700
CRI	Ra90	Ra90	Ra90	Ra90
Beam Angle	90°	90°	90°	90°
Lumen Output	90lm/W	90lm/W	90lm/W	90lm/W
Reflector Color	white	white	white	white
housing Color	Dull white	Dull white	Dull white	Dull white
IP	IP44	IP44	IP44	IP44

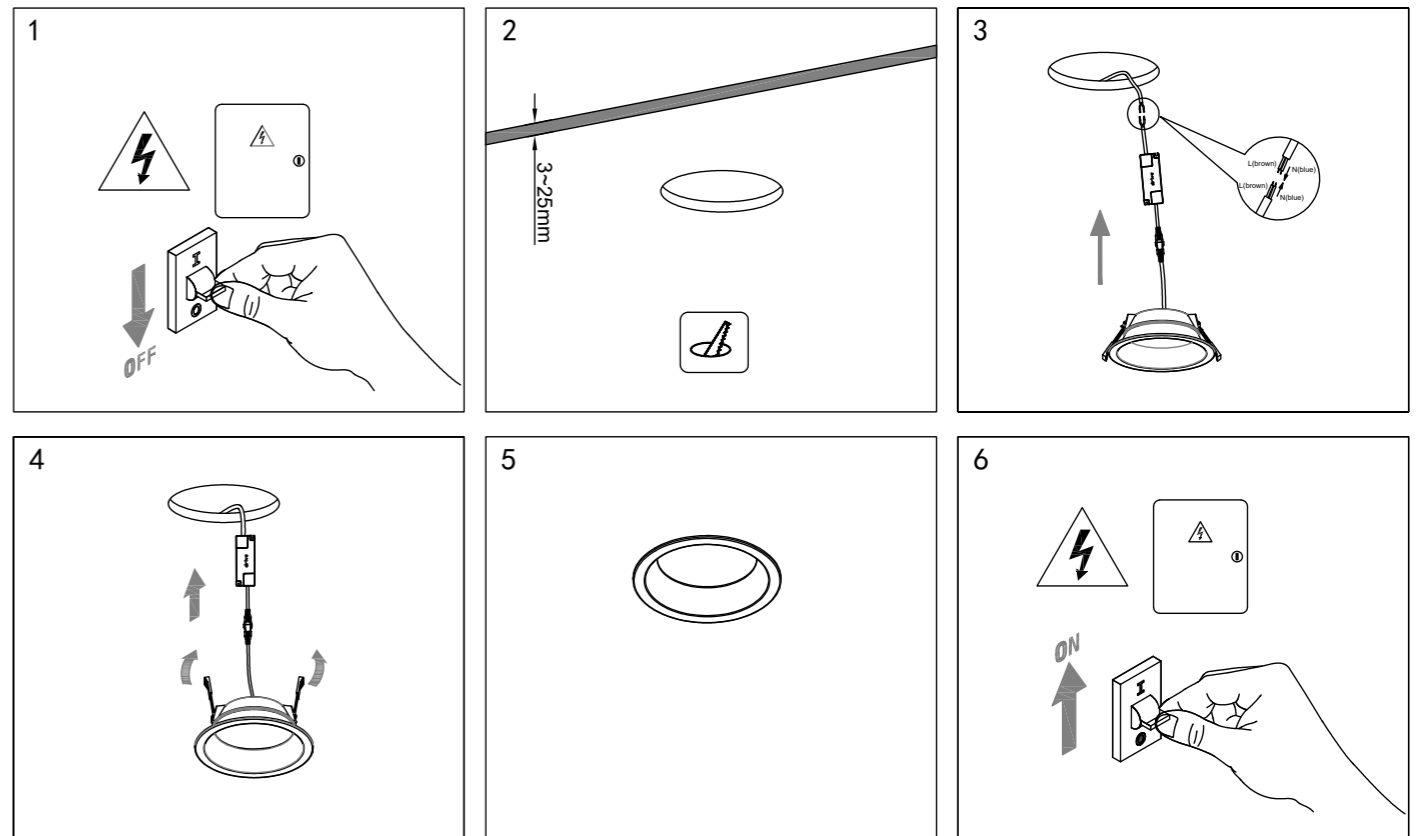


Installation instructions

LED Recessed Downlight



Installation steps

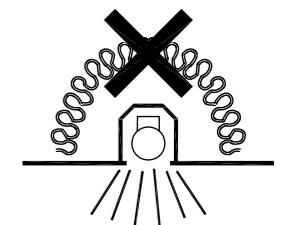


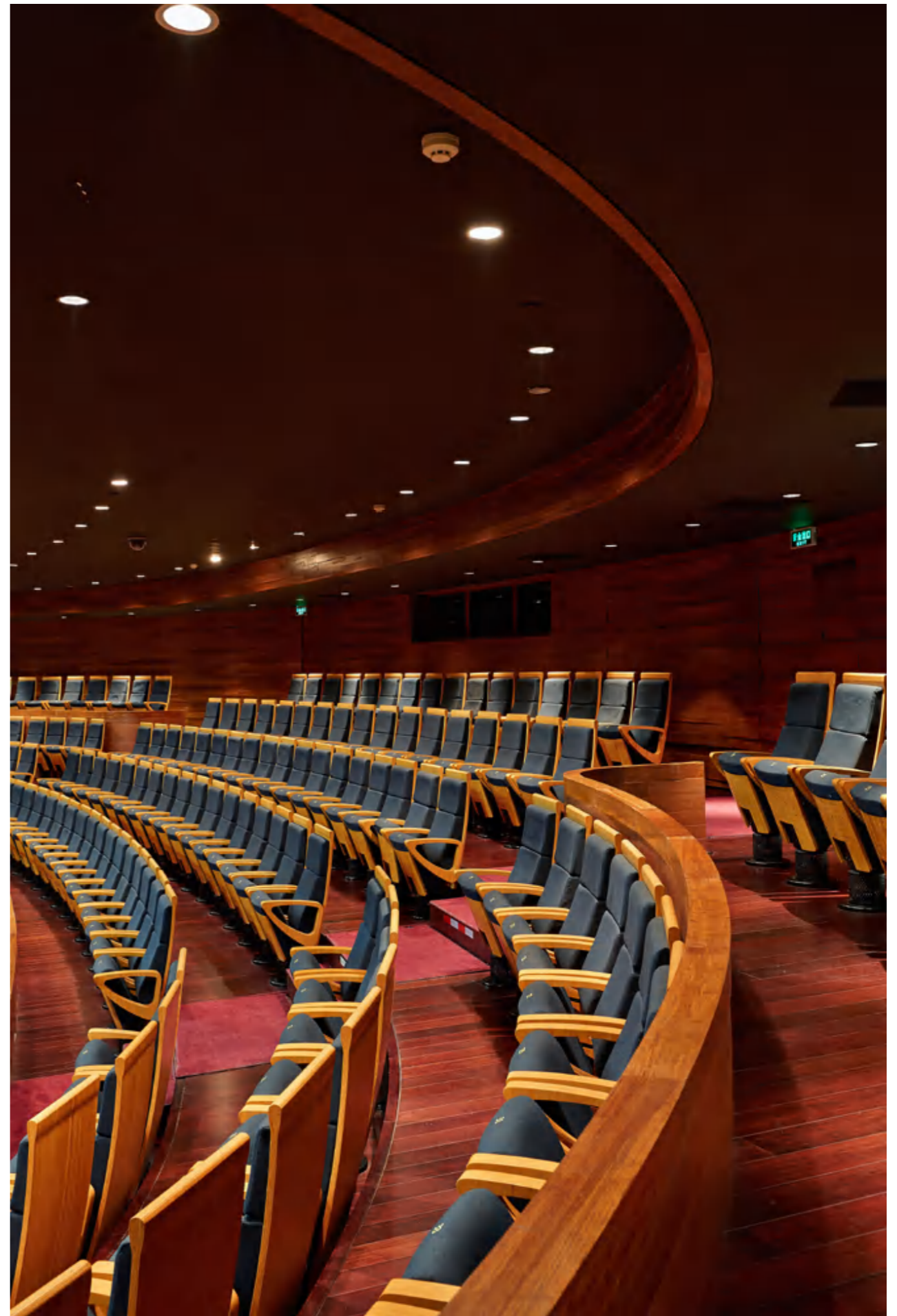
Installation instructions

SMD DOWN LIGHT

Warning, danger of electric shock

1. Installation must be done by professional electrician.
2. Please ensure the power has been cut off before installation, in order to prevent the electric shock, make sure the power supply that can't be resumed by anybody before the job done.
3. Y-type connection; If the external flexible cable or cord of the lamp is damaged, the cord shall be replaced by the manufacturer or its service agent or a person with similar qualification to avoid danger.
4. Non user replacement light source: "the light source in this lamp shall be replaced by the manufacturer or its service agent or a person with similar qualification."
5. It is not allowed to install this lamp on the ceiling that is vulnerable to damage and deformation. The recommended installation thickness shall be subject to the actual model.
6. Warm tip: "do not apply paint and other coatings on the product surface during installation".







- IP65 Waterproof & Antiglare cob downlights

Applications: (Retail, Hotel, shopping mall,
Hospital, Restaurant)



Emilux®



IP65 Waterproof&Antiglare COB Downlights

Applications:

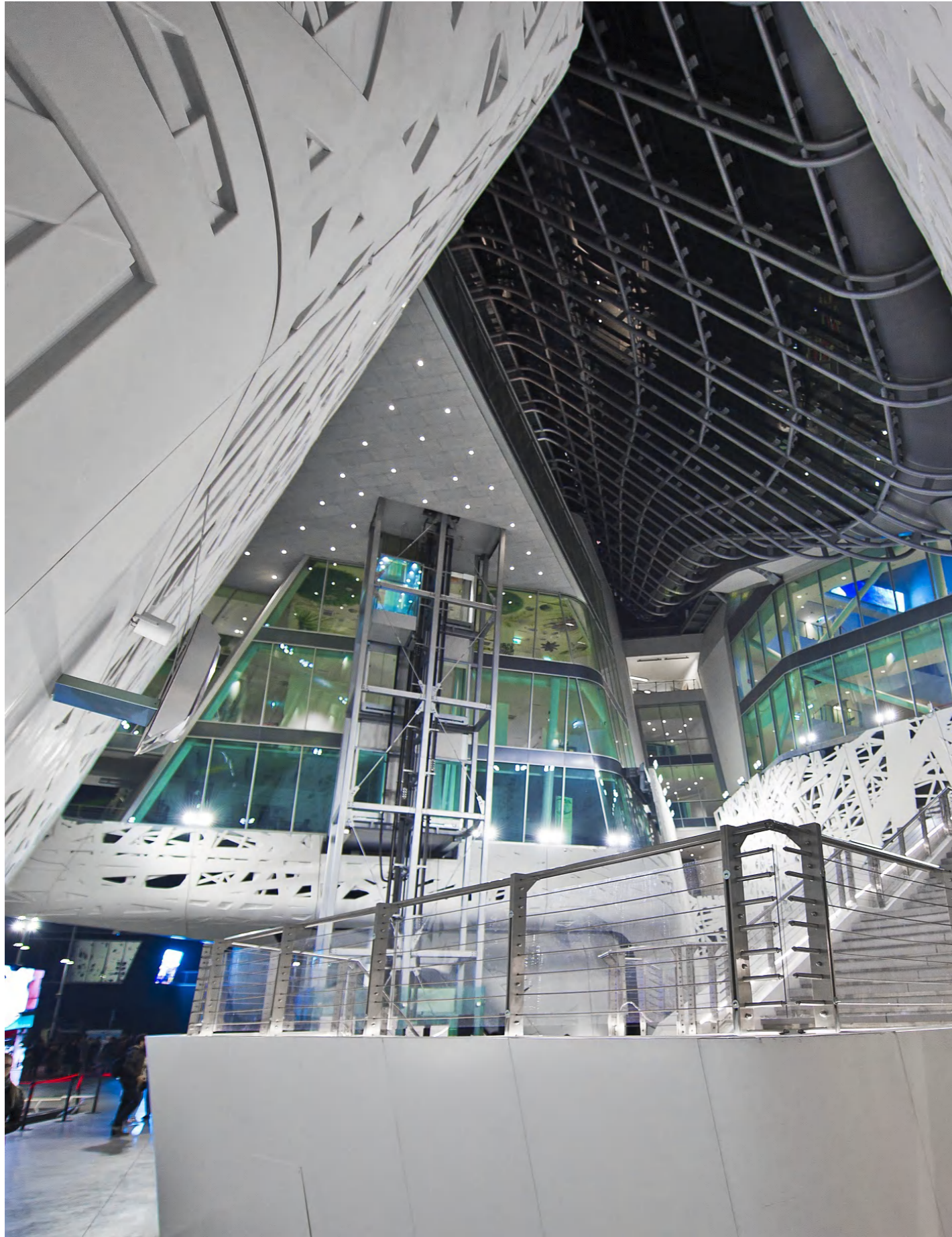
(Retail/Hotel/Shopping mall/Hospital/Restarustan)



● IP65 Waterproof&Antiglare cob downlights

Two recessed ceiling lights are shown against a dark grey background. The top light is black with a white interior reflector and a central COB LED chip. The bottom light is white with a white interior reflector and a central COB LED chip. Both lights are shown from a slightly angled perspective, highlighting their cylindrical shape and the recessed mounting area.

IP65 Waterproof & Antiglare cob downlights







IP65 Waterproof & Antiglare cob downlights



IP65 Waterproof & Antiglare cob downlights

Features

- Easy to install
- Long lifespan
- Clean beam angle
- Flexible to highlight objects

Application



Features

- Easy to install
- Long lifespan
- Clean beam angle
- Flexible to highlight objects

Application



Parameter

Cayenne Series Model: ED2001

Wattage	Driver	Input Voltage	LED source	Dimdriver
9W	Eaglerise/OSRAM/Tridoni	AC220-240V	Bridgelux/CREE	Triac/0-10V/Dali 2
Beam angle	CRI	CCT	UGR	Efficacy
15/24/36/55°	80/90/95 optional	3000K/4000K/5000K	< 19	60-90 lumens per watt
Cut out(mm)	Body color	Reflector color	Materials	IP
70-75mm	White/Black	White/Black/Silver/Gold	Alumnum Diecasting	65

Parameter

Cayenne Series Model: ED2002

Wattage	Driver	Input Voltage	LED source	Dimdriver
15W	Eaglerise/OSRAM/Tridonic	AC220-240V	Bridgelux/CREE	Triac/0-10V/Dali 2
Beam angle	CRI	CCT	UGR	Efficacy
15/24/36/55°	80/90/95 optional	3000K/4000K/5000K	< 19	60-90 lumens per watt
Cut out(mm)	Body color	Reflector color	Materials	IP
100mm	White/Black	White/Black/Silver/Gold	Alumnum Diecasting	65





IP65 Waterproof & Antiglare cob downlights



IP65 Waterproof & Antiglare cob downlights

Features

- Easy to install
- Long lifespan
- Clean beam angle
- Flexible to highlight objects

Application



Features

- Easy to install
- Long lifespan
- Clean beam angle
- Flexible to highlight objects

Application



Parameter

Cayenne Series Model: ED2003

Wattage	Driver	Input Voltage	LED source	Dimdriver
20W	Eaglerise/OSRAM/Tridoni	AC220-240V	Bridgelux/CREE	Triac/0-10V/Dali 2
Beam angle	CRI	CCT	UGR	Efficacy
15/24/36/55°	80/90/95 optional	3000K/4000K/5000K	< 19	60-90 lumens per watt
Cut out(mm)	Body color	Reflector color	Materials	IP
140-150mm	White/Black	White/Black/Silver/Gold	Aluminium Diecasting	65

Parameter

Cayenne Series Model: ED2004

Wattage	Driver	Input Voltage	LED source	Dimdriver
40W	Eaglerise/OSRAM/Tridonic	AC220-240V	Bridgelux/CREE	Triac/0-10V/Dali 2
Beam angle	CRI	CCT	UGR	Efficacy
15/24/36/55°	80/90/95 optional	3000K/4000K/5000K	< 19	60-90 lumens per watt
Cut out(mm)	Body color	Reflector color	Materials	IP
200mm	White/Black	White/Black/Silver/Gold	Aluminium Diecasting	65



Black Nickel Red Gold White Chrome Matte Black



Black Nickel Red Gold White Chrome Matte Black



IP65 Waterproof & Antiglare cob downlights



IP65 Waterproof & Antiglare cob downlights

Features

- Easy to install
- Long lifespan
- Clean beam angle
- Flexible to highlight objects

Application



Features

- Easy to install
- Long lifespan
- Clean beam angle
- Flexible to highlight objects

Application



Parameter

Cayenne Series Model: ED2005

Wattage	Driver	Input Voltage	LED source	Dimdriver
60W	Eaglerise/OSRAM/Tridonic	AC220-240V	Bridgelux/CREE	Triac/0-10V/Dali 2
Beam angle	CRI	CCT	UGR	Efficacy
15/24/36/55°	80/90/95 optional	3000K/4000K/5000K	< 19	60-90 lumens per watt
Cut out(mm)	Body color	Reflector color	Materials	IP
220mm	White/Black	White/Black/Silver/Gold	Aluminium Diecasting	65

Parameter

Cayenne Series Model: ED2001

Wattage	Driver	Input Voltage	LED source	Dimdriver
9W	Eaglerise/OSRAM/Tridoni	AC220-240V	Bridgelux/CREE	Triac/0-10V/Dali 2
Beam angle	CRI	CCT	UGR	Efficacy
15/24/36/55°	80/90/95 optional	3000K/4000K/5000K	< 19	60-90 lumens per watt
Cut out(mm)	Body color	Reflector color	Materials	IP
70-75mm	White/Black	White/Black/Silver/Gold	Aluminium Diecasting	65



Black Nickel Red Gold White Chrome Matte Black



Black Nickel Red Gold White Chrome Matte Black



IP65 Waterproof&Antiglare cob downlights

IP65 Waterproof&Antiglare cob downlights

Features

Application

- Easy to install
- Long lifespan
- Clean beam angle
- Flexible to highlight objects



Features

Application

- Easy to install
- Long lifespan
- Clean beam angle
- Flexible to highlight objects



Parameter

Cayenne Series Model:ED2002

Wattage	Driver	Input Voltage	LED source	Dimdriver
15W	Eaglerise/OSRAM/Tridonic	AC220-240V	Bridgelux/CREE	Triac/0-10V/Dali 2
Beam angle	CRI	CCT	UGR	Efficacy
15/24/36/55°	80/90/95 optional	3000K/4000K/5000K	< 19	60-90 lumens per watt
Cut out(mm)	Body color	Reflector color	Materials	IP
100mm	White/Black	White/Black/Silver/Gold	Alumnum Diecasting	65

Parameter

Cayenne Series Model:ED2003

Wattage	Driver	Input Voltage	LED source	Dimdriver
20W	Eaglerise/OSRAM/Tridonic	AC220-240V	Bridgelux/CREE	Triac/0-10V/Dali 2
Beam angle	CRI	CCT	UGR	Efficacy
15/24/36/55°	80/90/95 optional	3000K/4000K/5000K	< 19	60-90 lumens per watt
Cut out(mm)	Body color	Reflector color	Materials	IP
120mm	White/Black	White/Black/Silver/Gold	Alumnum Diecasting	65





IP65 Waterproof & Antiglare cob downlights

IP65 Waterproof & Antiglare cob downlights

Features

- Easy to install
- Long lifespan
- Clean beam angle
- Flexible to highlight objects

Application



Features

- Easy to install
- Long lifespan
- Clean beam angle
- Flexible to highlight objects

Application



Parameter

Cayenne Series Model: ED2004

Wattage	Driver	Input Voltage	LED source	Dimdriver
40W	Eaglerise/OSRAM/Tridonic	AC220-240V	Bridgelux/CREE	Triac/0-10V/Dali 2
Beam angle	CRI	CCT	UGR	Efficacy
15/24/36/55°	80/90/95 optional	3000K/4000K/5000K	< 19	60-90 lumens per watt
Cut out(mm)	Body color	Reflector color	Materials	IP
164mm	White/Black	White/Black/Silver/Gold	Aluminium Diecasting	65

Parameter

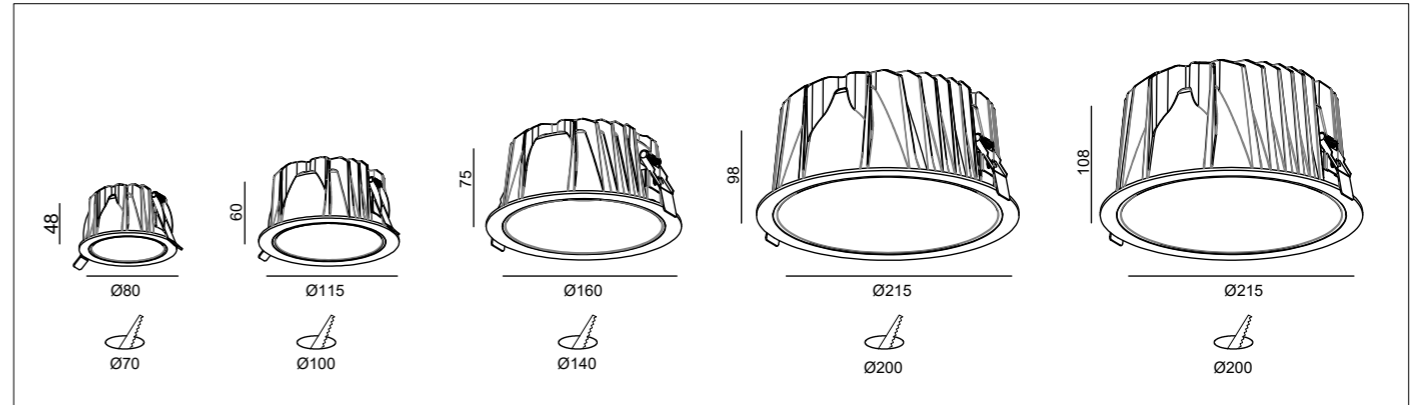
Cayenne Series Model: ED2005

Wattage	Driver	Input Voltage	LED source	Dimdriver
60W	Eaglerise/OSRAM/Tridonic	AC220-240V	Bridgelux/CREE	Triac/0-10V/Dali 2
Beam angle	CRI	CCT	UGR	Efficacy
15/24/36/55°	80/90/95 optional	3000K/4000K/5000K	< 19	60-90 lumens per watt
Cut out(mm)	Body color	Reflector color	Materials	IP
220mm	White/Black	White/Black/Silver/Gold	Aluminium Diecasting	65

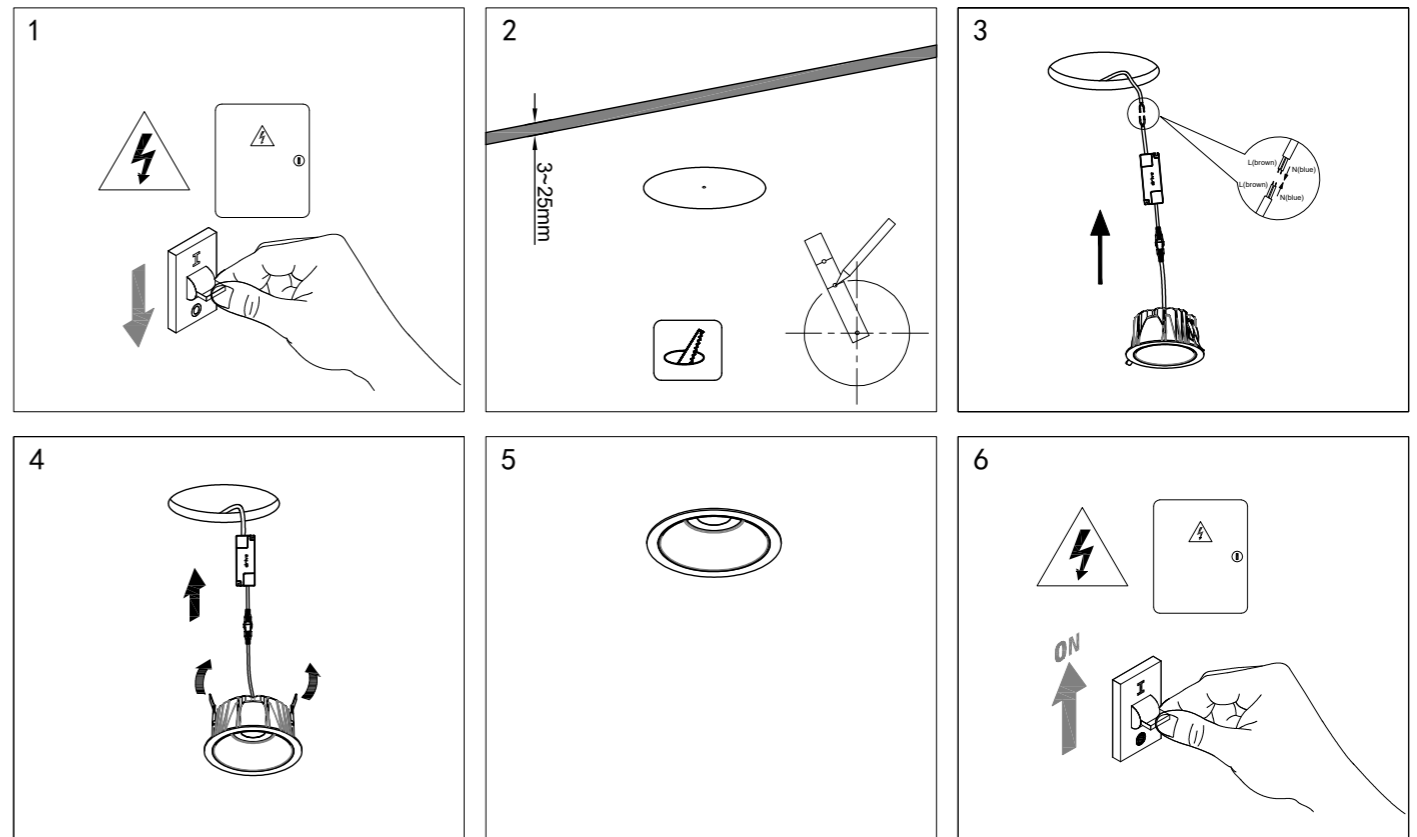


Installation instructions

LED Recessed Downlight



Installation steps

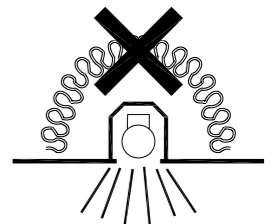


Installation instructions

IP65 COB Downlight

Warning, danger of electric shock

1. Installation must be done by professional electrician.
2. Please ensure the power has been cut off before installation, in order to prevent the electric shock, make sure the power supply that can't be resumed by anybody before the job done.
3. Y-type connection; If the external flexible cable or cord of the lamp is damaged, the cord shall be replaced by the manufacturer or its service agent or a person with similar qualification to avoid danger.
4. Non user replacement light source: "the light source in this lamp shall be replaced by the manufacturer or its service agent or a person with similar qualification."
5. It is not allowed to install this lamp on the ceiling that is vulnerable to damage and deformation. The recommended installation thickness shall be subject to the actual model.
6. Warm tip: "do not apply paint and other coatings on the product surface during installation".







D

A

3

C



3

B



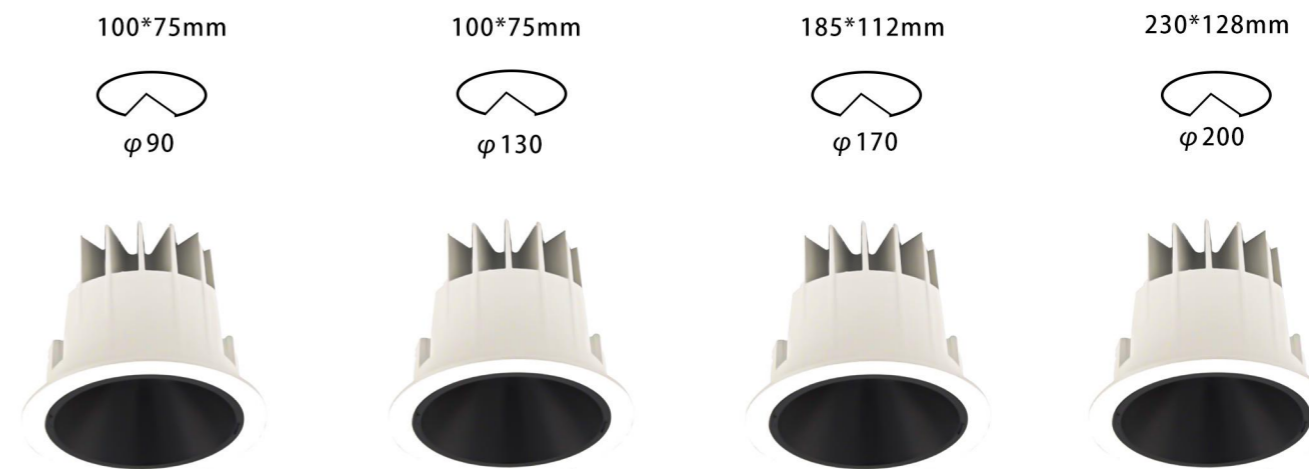
BankABC

Waterproof Series ■

IP65



Venus Series



Model:

- ED2006
- ED2007
- ED2008
- ED2009

LED sources

Bridgelux/CREE

Optic

Lens.

Narrow, medium and wide beam angle available.

Driver

Lifud/eaglerise

Body

Aluminium diecasting

Applications

Its unique pull-down mechanism, enables it to function as either a downlight or a exposed lamp able to emulate a surface or track fixture.

Application areas: retail, hotels, museums, window displays.

Size	CCT	LED power	Nominal Lumen	Beam Angle
100*75mm	3000K/4000K/5000K	10W	75lm/w	8/15/24/36°
140*90mm	3000K/4000K/5000K	20W	75lm/w	8/15/24/36°
185*112mm	3000K/4000K/5000K	30W	75lm/w	8/15/24/36°
230*128mm	3000K/4000K/5000K	40W	75lm/w	8/15/24/36°

Driver Options

- D0 No Dim
- DA Dali Dim
- DC CASAMBI
- D1 0-10V Dim

Finish

- Bright black/white
- Matt black/silver
- White



Valhalla Series



Model:

- ED2010
- ED2011
- ED2012
- ED2013
- ED2014

LED sources

COB/SMD

Optic

Lens.

Narrow, medium and wide beam angle available.

Driver

Lifud/eaglerise

Dimmable optional

Triac/0-10v/dali

Applications

Its unique pull-down mechanism, enables it to function as either a downlight or a exposed lamp able to emulate a surface or track fixture.

Application areas: retail, hotels, museums, window displays.

Cut out	CCT	LED power	Nominal Lumen	Beam Angle
φ95	3000K/4000K/5000K	10W	75lm/w	38/60°
φ115	3000K/4000K/5000K	15W	75lm/w	38/60°
φ140	3000K/4000K/5000K	20W	75lm/w	38/60°
φ170	3000K/4000K/5000K	30W	75lm/w	38/60°
φ200	3000K/4000K/5000K	50W	75lm/w	38/60°

Driver Options

- D0 No Dim
- DA Dali Dim
- DC CASAMBI
- D1 0-10V Dim

Finish

- shiny silver/
- white/shiny black



Ghibli Series



Model:

- ED2015
- ED2016
- ED2017
- ED2018
- ED2019
- ED2020

Dimmable optional

Triac/0-10v/dali

LED sources

COB/SMD

Optic

Lens.

Narrow, medium and wide beam angle available.

Driver

Lifud/eaglerise

Applications

Its unique pull-down mechanism, enables it to function as either a downlight or a exposed lamp able to emulate a surface or track fixture.

Application areas: retail, hotels, museums, window displays.

Size	CCT	LED power	Nominal Lumen	Beam Angle
φ 86*90	3000K/4000K/5000K	10W	75lm/w	24/45//60°
φ 110*100	3000K/4000K/5000K	15W	75lm/w	24/45//60°
φ 135*110	3000K/4000K/5000K	20W	75lm/w	24/45//60°
φ 180*120	3000K/4000K/5000K	30W	75lm/w	24/45//60°
φ 210*140	3000K/4000K/5000K	50W	75lm/w	24/45//60°
φ 240*145	3000K/4000K/5000K	60W	75lm/w	24/45//60°

Driver Options

- D0 No Dim
- DA Dali Dim
- DC CASAMBI
- D1 0-10V Dim

Finish

- Bright black/white
- Matt black/silver
- White





Ghibli Series

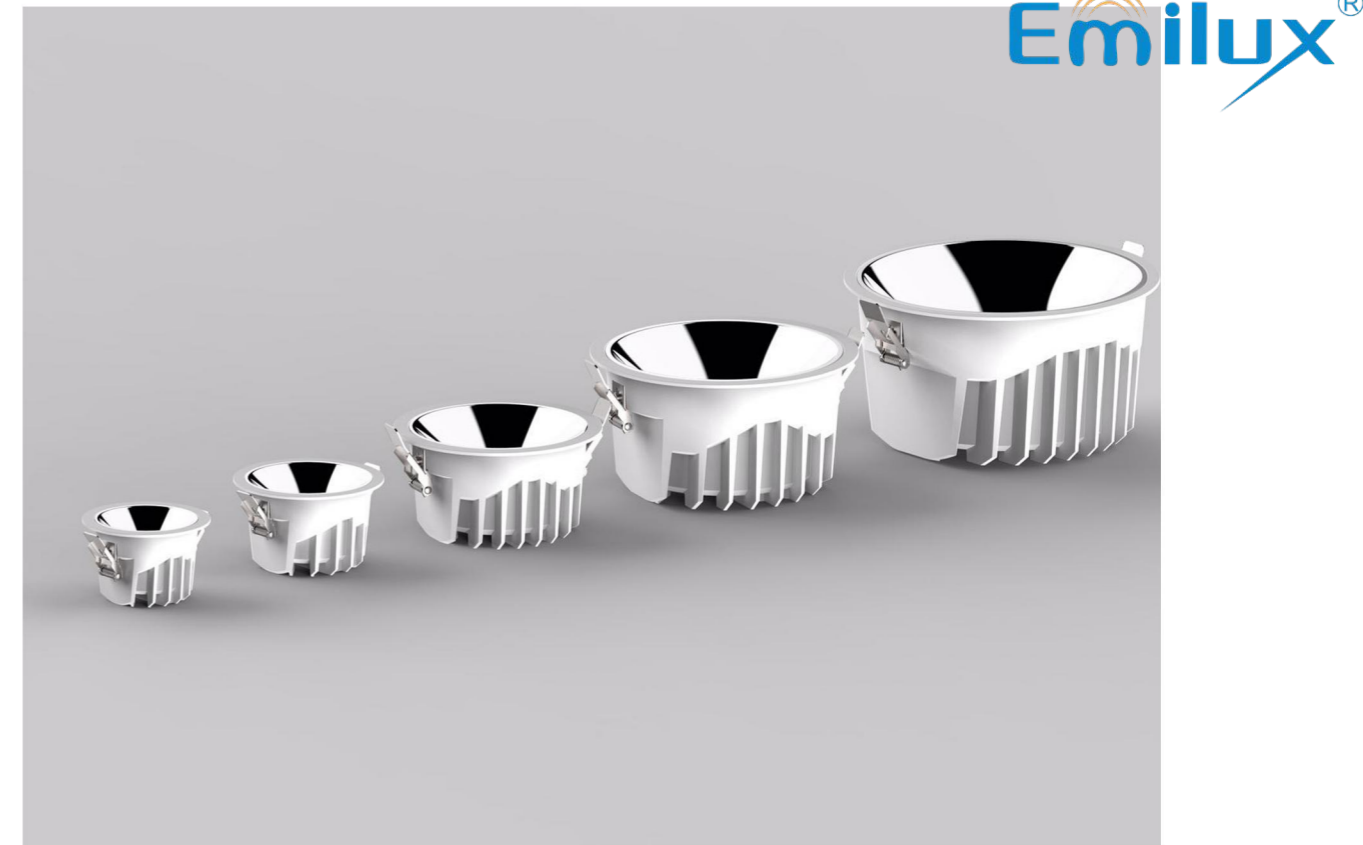
10W/18W

φ75MM/φ90MM

Triac/0-10v/Dali



Ghibli Series



Model:

- ED2021
- ED2022
- ED2023
- ED2024
- ED2025

LED sources

Bridgelux/CREE

Optic

Lens.

Narrow, medium and wide beam angle available.

Driver

Lifud/eaglerise

Body

Aluminium diecasting

Applications

Its unique pull-down mechanism, enables it to function as either a downlight or a exposed lamp able to emulate a surface or track fixture.

Application areas: retail, hotels, museums, window displays.

Size	CCT	LED power	Nominal Lumen	Beam Angle
86*55mm	3000K/4000K/5000K	10W	75lm/w	8/15/24/36°
101*60mm	3000K/4000K/5000K	18W	75lm/w	8/15/24/36°
140*73mm	3000K/4000K/5000K	30W	75lm/w	8/15/24/36°
180*94mm	3000K/4000K/5000K	40W	75lm/w	8/15/24/36°
214*110mm	3000K/4000K/5000K	50W	75lm/w	8/15/24/36°

Driver Options

- D0 No Dim
- DA Dali Dim
- DC CASAMBI
- D1 0-10V Dim

Finish

- Bright black/white
- Matt black/silver
- White





- 360° Gimbal down light

Applications:(Retail、 Hotel、 shopping mall、
Hospital、 Restaurant)



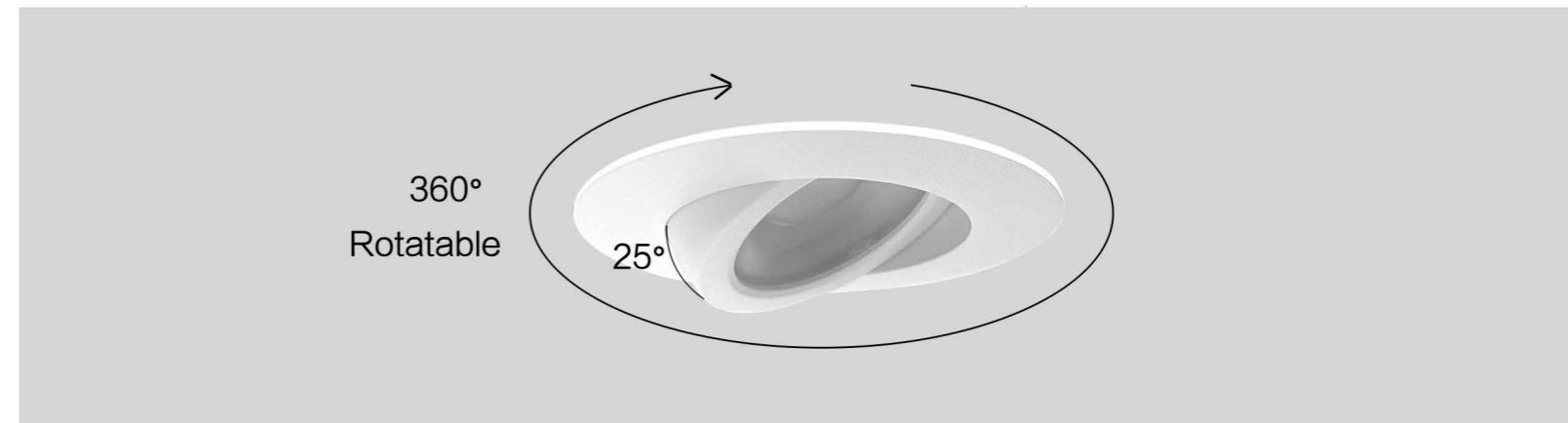


360° Gimbal down light

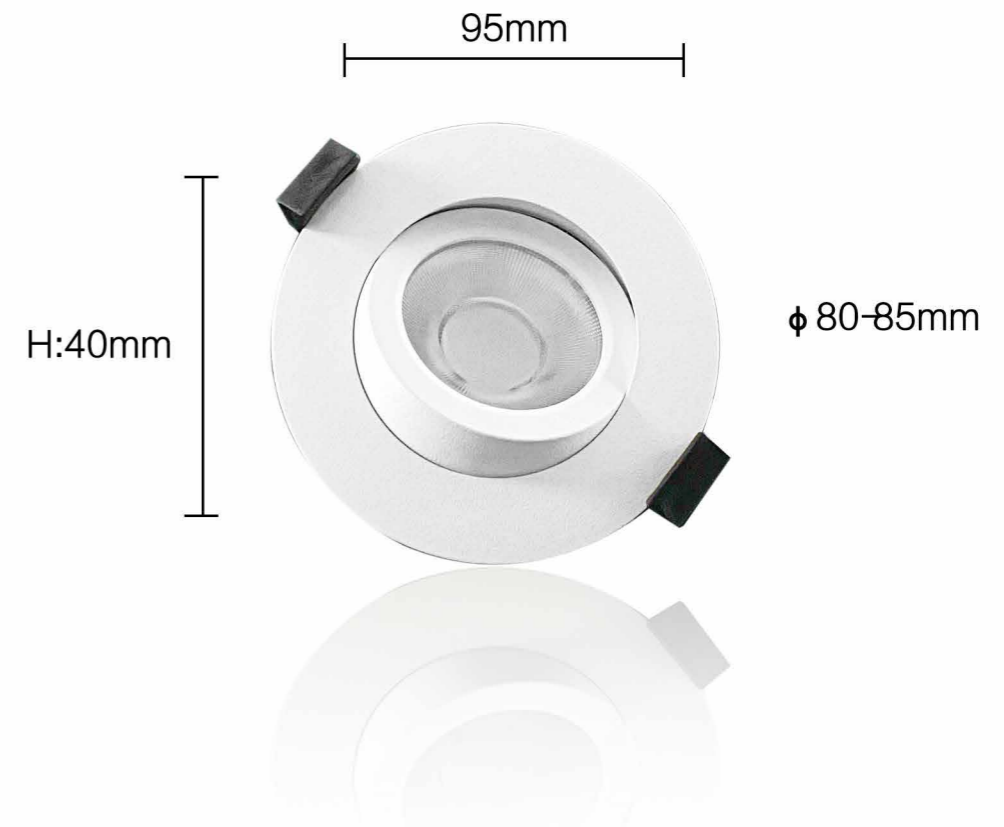


360° Gimbal Down Light

- Rotatable light cap
- Anti glare
- High color rendering index
- All aluminum heat dissipation



Size



Product Introduction ◆◆◆

- Uniform light output of basic lighting
- Soft light improves overall space brightness
- High quality alloy aluminum, excellent heat dissipation effect
- The lamp body is anodized with aluminum and zinc, which is corrosion-resistant
- Area used: hotels, home lighting, shopping malls and other places



Adjustable recessed linear mini spot light

Features

- Easy to install
- Long lifespan
- Clean beam angle
- 360 ° rotatable

Application

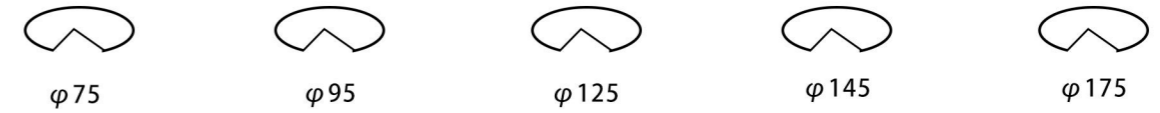


Parameter

Wattage	Driver	Input Voltage	LED source	Dimdriver
10W	Eaglerise/OSRAM/Tridoni	AC220-240V	Bridgelux/CREE	Triac/0-10V/Dali 2
Beam angle	CRI	CCT	UGR	Efficacy
24/36/60°	80/90/95 optional	3000K/4000K/5000K	< 19	870lm
Cut out(mm)	Body color	Reflector color	Materials	IP
83mm	White/Black	White/Black/Silver/Gold	Aluminium Diecasting	65



Cupid Series



Model:

- ED4001
- ED4002
- ED4003
- ED4004
- ED4005

LED sources

Bridgelux/CREE

Optic

Lens.

Narrow, medium and wide beam angle available.

Driver

PHILIPS

Body

Aluminium diecasting

Applications

Its unique pull-down mechanism, enables it to function as either a downlight or a exposed lamp able to emulate a surface or track fixture.

Application areas: retail, hotels, museums, window displays.

CRI	CCT	LED power	Nominal Lumen	Beam Angle
≥90	3000K/4000K/5000k	7W	790/1840/2760/3640	15/24/36 degrees
≥90	3000K/4000K/5000k	15W	790/1840/2760/3640	15/24/36 degrees
≥90	3000K/4000K/5000k	25W	790/1840/2760/3640	15/24/36 degrees
≥90	3000K/4000K/5000k	35W	790/1840/2760/3640	15/24/36 degrees
≥90	3000K/4000K/5000k	50W	790/1840/2760/3640	15/24/36 degrees

Driver Options

- D0 No Dim
- DA Dali Dim
- DC CASAMBI
- D1 0-10V Dim

Finish

- Bright black/white
- Matt black/silver
- White





Ceiling-Mounted Downlights ■

Neptune Series



Model:

- EC1001
- EC1002
- EC1003

LED sources

Bridgelux/CREE

Optic

Lens.

Narrow, medium and wide beam angle available.

Body

Aluminium diecasting

Driver

Lifud/eaglerise

Applications

Its unique pull-down mechanism, enables it to function as either a downlight or a exposed lamp able to emulate a surface or track fixture.

Application areas: retail, hotels, museums, window displays.

Size

CCT

LED power

Nominal Lumen

Beam Angle

Size	CCT	LED power	Nominal Lumen	Beam Angle
φ75*90	3000K/4000K/5000K	10W/20W	70-75lm/W	15°、24°、36°、55°
φ91*112	3000K/4000K/5000K	20W	70-75lm/W	15°、24°、36°、55°
φ128*137	3000K/4000K/5000K	35W	70-75lm/W	15°、24°、36°、55°

Driver Options

- D0 No Dim
- DA Dali Dim
- DC CASAMBI
- D1 0-10V Dim

Finish

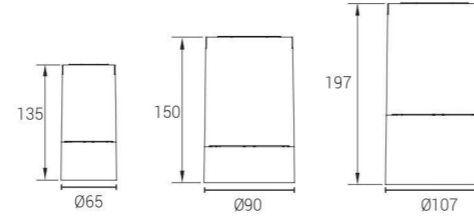
- Bright black/white
- Matt black/silver
- White



Nessus



- Colour: Sand gold Chrome Black White Silver
- Optional: Honey comb



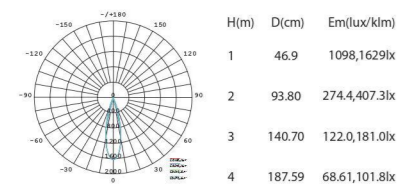
EC1004 EC1005 EC1006

Power	6W	12W	20W
Light Source	CREE	CREE	CREE
Size(LxWxH)	φ65x135mm	φ90x150mm	φ107x197mm
UGR	<19	<19	<19
CRI	≥80/≥90	≥80/≥90	≥80/≥90
Beam angle	15°24°/38°	15°24°/38°	15°24°/38°

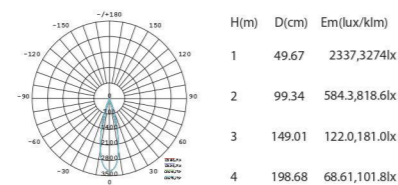
CCT	2700K/3000K/4000K/5000K	2700K/3000K/4000K/5000K	2700K/3000K/4000K/5000K
Life time	50000h	50000h	50000h
IP	IP20/IP65	IP20/IP65	IP20/IP65

Photometric

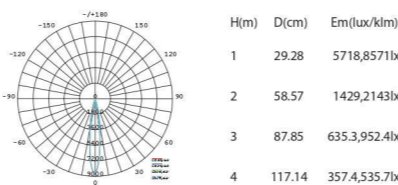
Beam Angle 26.4° 6W



Beam Angle 27.9° 12W



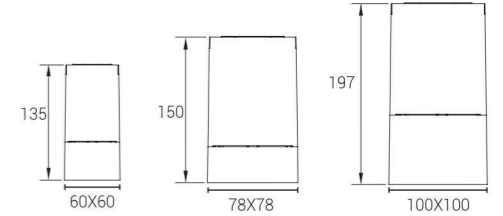
Beam Angle 16.6° 20W



Nessus



- Colour: Sand gold Chrome Black White Silver
- Optional: Honey comb



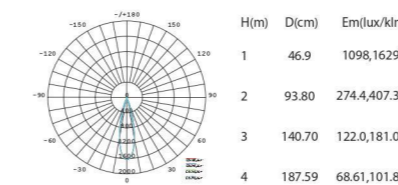
EC1007 EC1008 EC1009

Power	6W	12W	20W
Light Source	CREE	CREE	CREE
Size(LxWxH)	φ65x135mm	φ90x150mm	φ107x197mm
UGR	<19	<19	<19
CRI	≥80/≥90	≥80/≥90	≥80/≥90
Beam angle	15°24°/38°	15°24°/38°	15°24°/38°

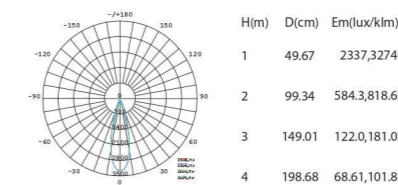
CCT	2700K/3000K/4000K/5000K	2700K/3000K/4000K/5000K	2700K/3000K/4000K/5000K
Life time	50000h	50000h	50000h
IP	IP20/IP65	IP20/IP65	IP20/IP65

Photometric

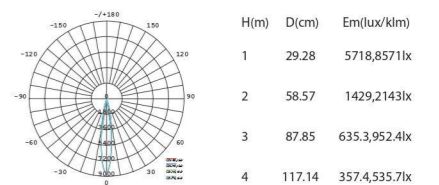
Beam Angle 26.4° 6W



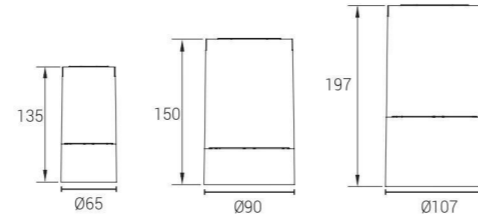
Beam Angle 27.9° 12W



Beam Angle 16.6° 20W



Hermes



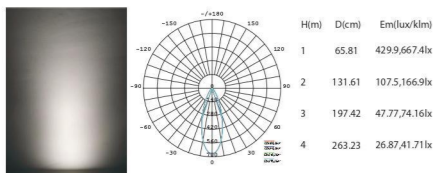
EC1010 EC1011 EC1012

Power	6W	12W	20W
Light Source	CREE	CREE	CREE
Size(LxWxH)	φ65x135mm	φ90x150mm	φ107x197mm
UGR	<19	<19	<19
CRI	≥80/≥90	≥80/≥90	≥80/≥90
Beam angle	Inclination angle 15°	Inclination angle 15°	Inclination angle 15°

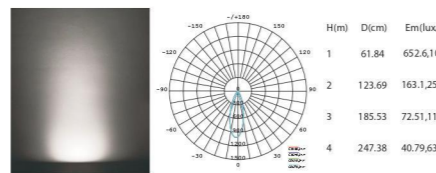
CCT	2700K/3000K/4000K/5000K	2700K/3000K/4000K/5000K	2700K/3000K/4000K/5000K
Life time	50000h	50000h	50000h
IP	IP20/IP65	IP20/IP65	IP20/IP65

Photometric

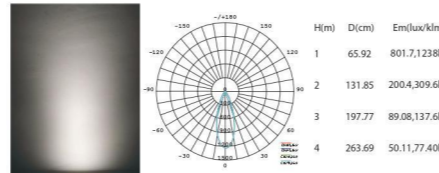
Beam Angle 36.4° 6W



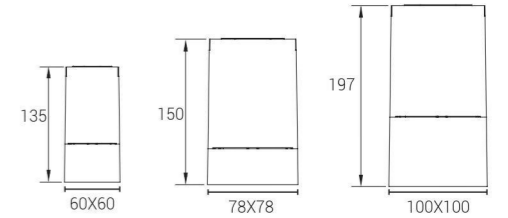
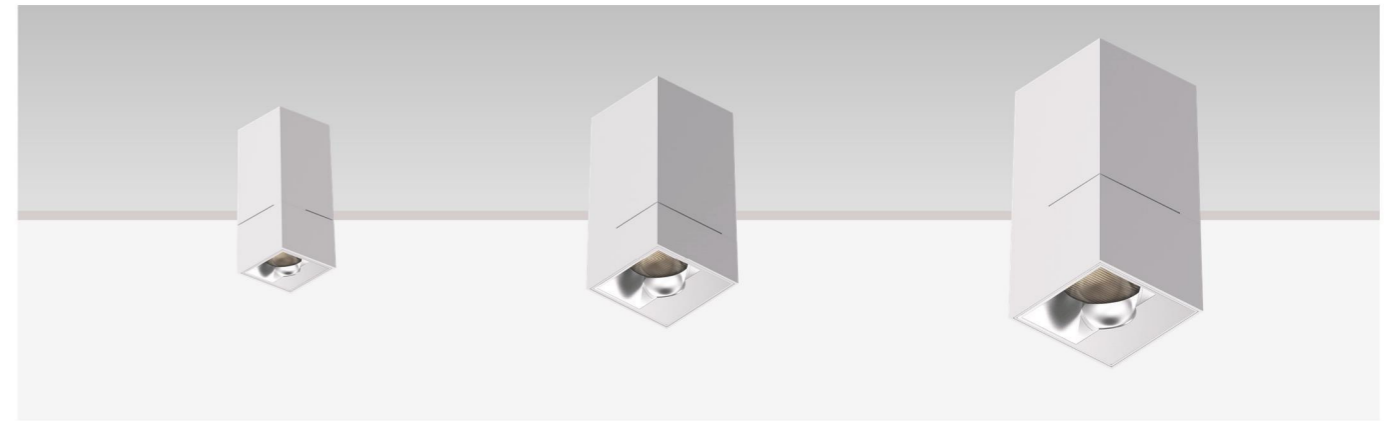
Beam Angle 34.4° 12W



Beam Angle 36.5° 20W



Hermes



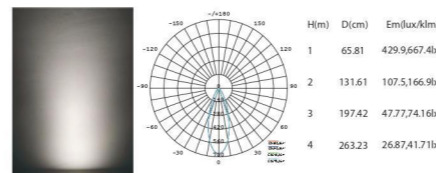
EC1013 EC1014 EC1015

Power	6W	12W	20W
Light Source	CREE	CREE	CREE
Size(LxWxH)	φ65x135mm	φ90x150mm	φ107x197mm
UGR	<19	<19	<19
CRI	≥80/≥90	≥80/≥90	≥80/≥90
Beam angle	Inclination angle 15°	Inclination angle 15°	Inclination angle 15°

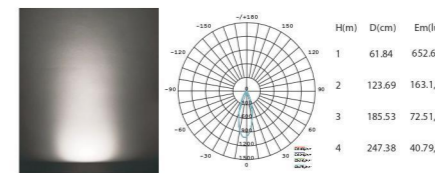
CCT	2700K/3000K/4000K/5000K	2700K/3000K/4000K/5000K	2700K/3000K/4000K/5000K
Life time	50000h	50000h	50000h
IP	IP20/IP65	IP20/IP65	IP20/IP65

Photometric

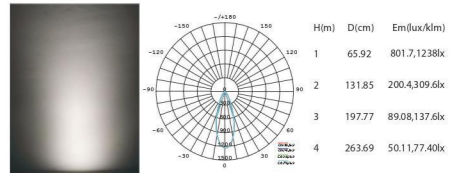
Beam Angle 36.4° 6W



Beam Angle 34.4° 12W



Beam Angle 36.5° 20W





- Adjustable recessed linear mini spot light

Applications:(Retail, Hotel, shopping mall,
Hospital, Restaurant)





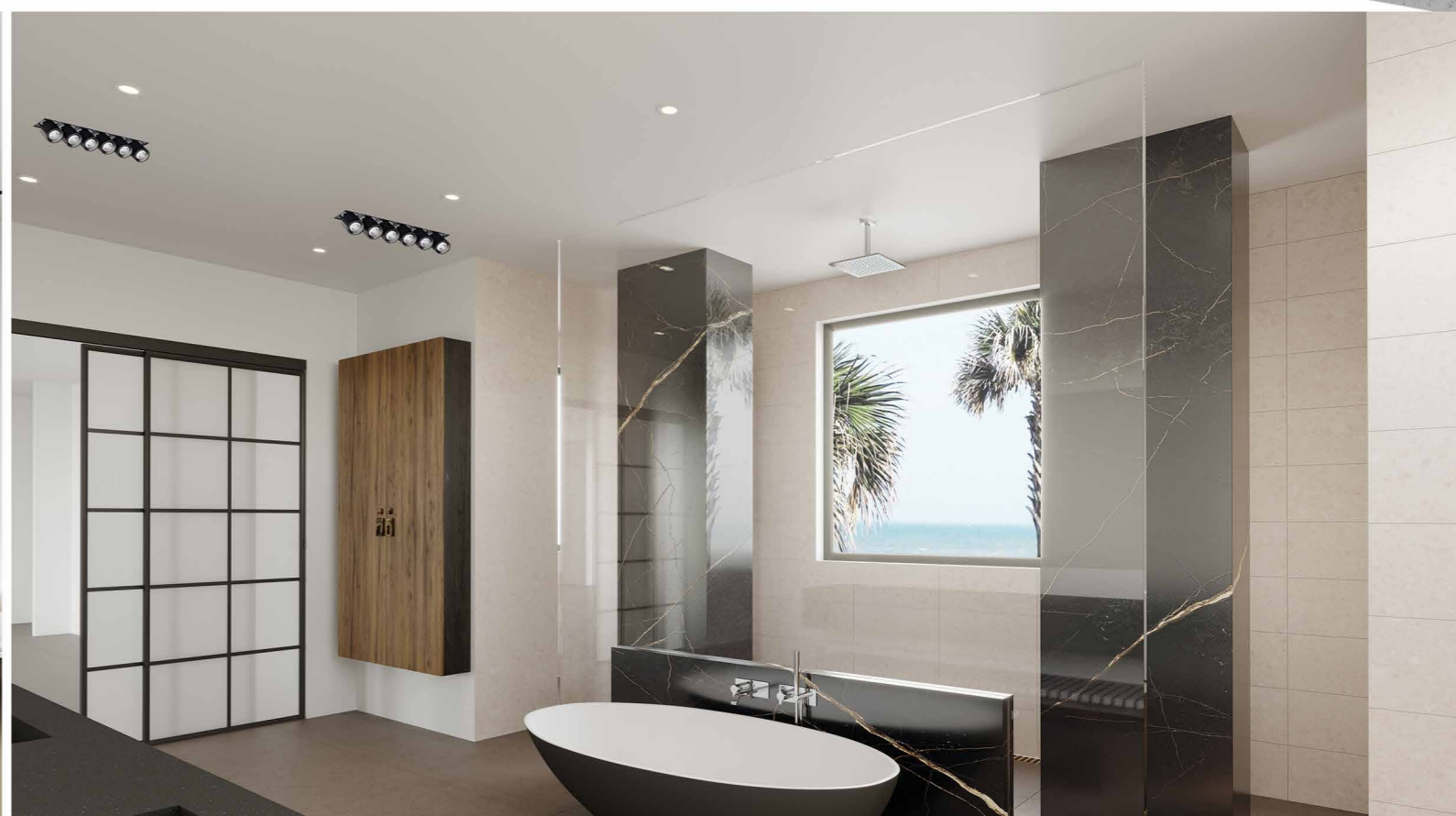
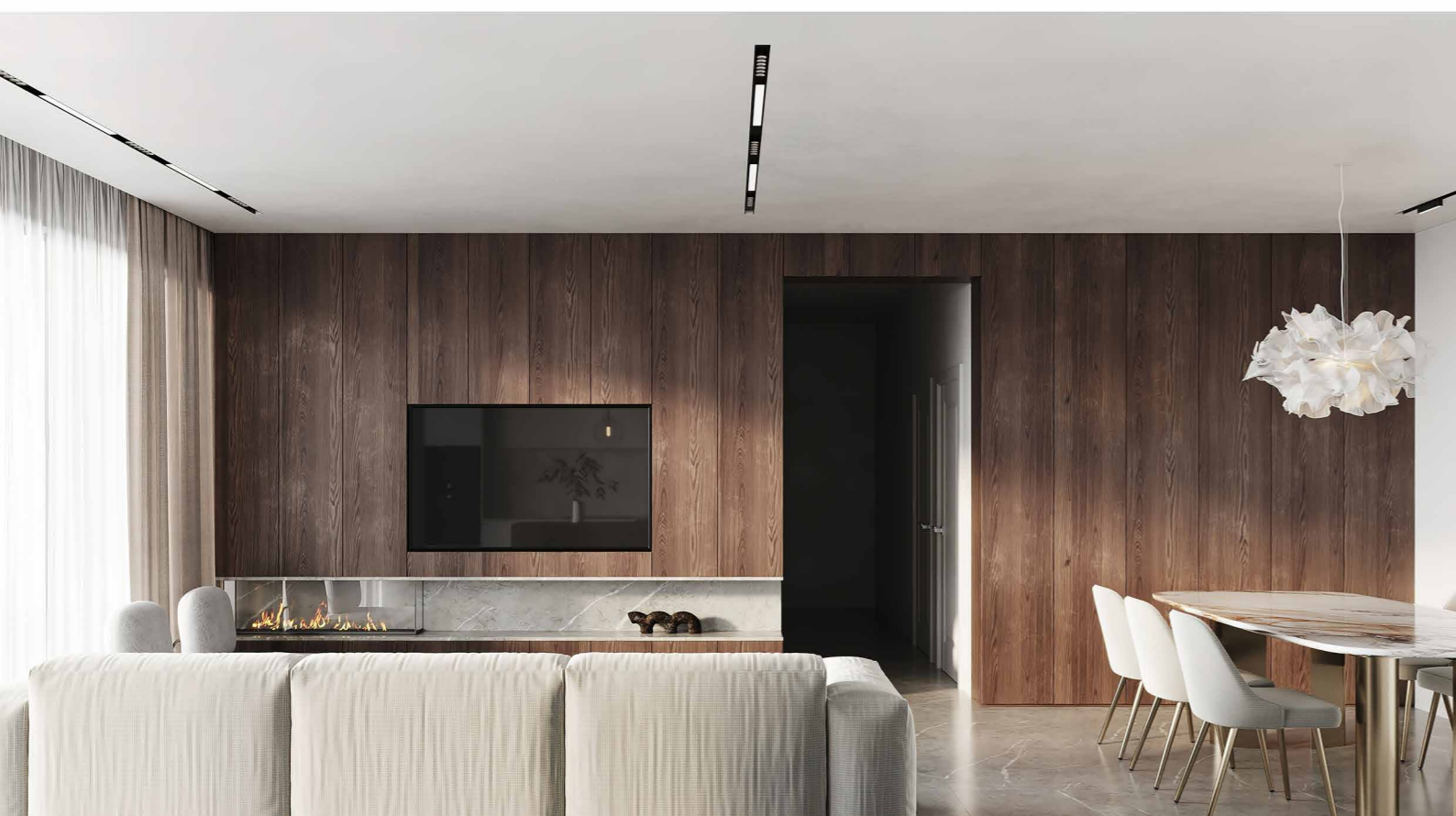
● ● ● 6Heads

Adjustable recessed linear mini spot light



3Heads ● ● ●

Adjustable recessed linear mini spot light





Adjustable recessed linear mini spot light



Adjustable recessed linear mini spot light

Features

- Easy to install
- Long lifespan
- Clean beam angle
- Flexible to highlight objects

Application



Features

- Easy to install
- Long lifespan
- Clean beam angle
- Flexible to highlight objects

Application



Parameter

Wattage	Driver	Input Voltage	LED source	Dimdriver
3*3W	Eaglerise/OSRAM/Tridoni	AC220-240V	Bridgelux/CREE	Triac/0-10V/Dali 2
Beam angle	CRI	CCT	UGR	Efficacy
8/12/15/25/30/45°	80/90/95 optional	3000K/4000K/5000K	< 19	60-90 lumens per watt
Cut out(mm)	Body color	Reflector color	Materials	IP
-	White/Black	White/Black	Alumnium Diecasting	44

Parameter

Wattage	Driver	Input Voltage	LED source	Dimdriver
6*3W	Eaglerise/OSRAM/Tridoni	AC220-240V	Bridgelux/CREE	Triac/0-10V/Dali 2
Beam angle	CRI	CCT	UGR	Efficacy
8/12/15/25/30/45°	80/90/95 optional	3000K/4000K/5000K	< 19	60-90 lumens per watt
Cut out(mm)	Body color	Reflector color	Materials	IP
-	White/Black	White/Black	Alumnium Diecasting	44





Adjustable recessed linear mini spot light



Adjustable recessed linear mini spot light

Features

- Easy to install
- Long lifespan
- Clean beam angle
- Flexible to highlight objects

Application



Features

- Easy to install
- Long lifespan
- Clean beam angle
- Flexible to highlight objects

Application



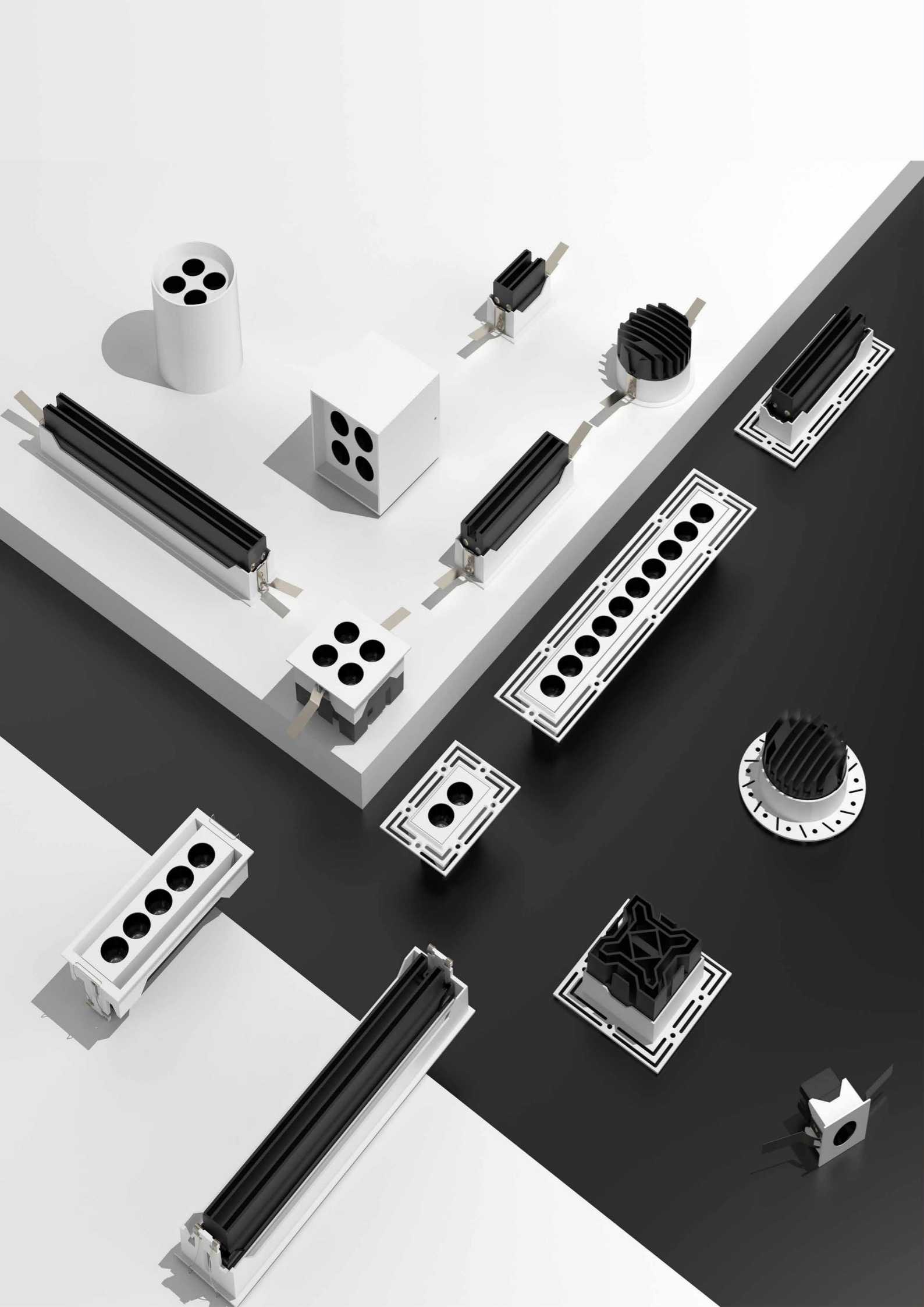
Parameter

Wattage	Driver	Input Voltage	LED source	Dimdriver
3*3W	Eaglerise/OSRAM/Tridoni	AC220-240V	Bridgelux/CREE	Triac/0-10V/Dali 2
Beam angle	CRI	CCT	UGR	Efficacy
8/12/15/25/30/45°	80/90/95 optional	3000K/4000K/5000K	< 19	60-90 lumens per watt
Cut out(mm)	Body color	Reflector color	Materials	IP
-	White/Black	White/Black	Aluminium Diecasting	44

Parameter

Wattage	Driver	Input Voltage	LED source	Dimdriver
6*3W	Eaglerise/OSRAM/Tridoni	AC220-240V	Bridgelux/CREE	Triac/0-10V/Dali 2
Beam angle	CRI	CCT	UGR	Efficacy
8/12/15/25/30/45°	80/90/95 optional	3000K/4000K/5000K	< 19	60-90 lumens per watt
Cut out(mm)	Body color	Reflector color	Materials	IP
-	White/Black	White/Black	Aluminium Diecasting	44

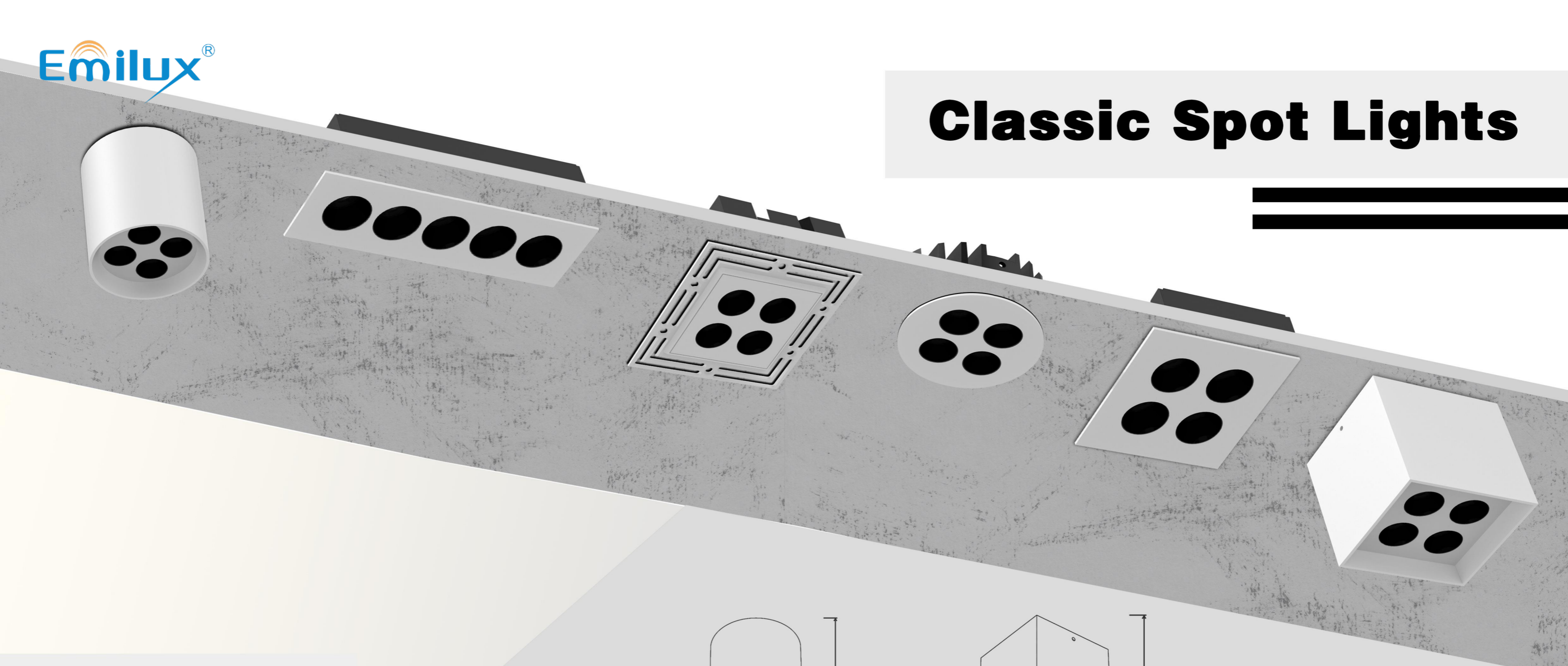




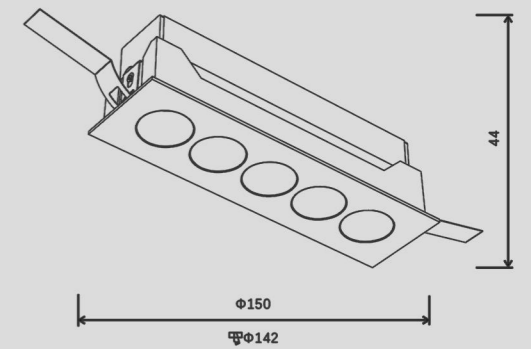
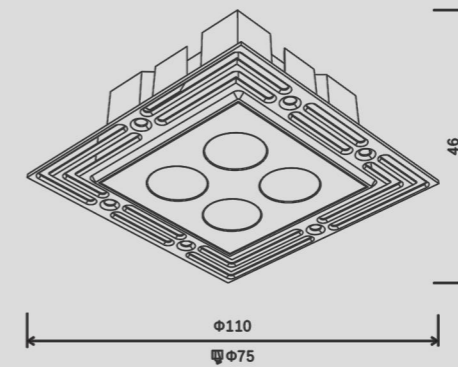
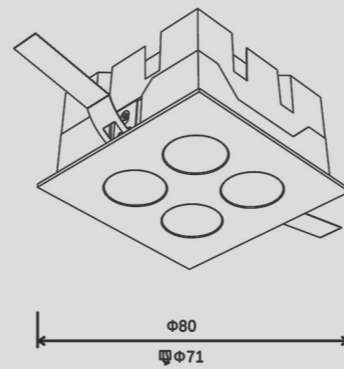
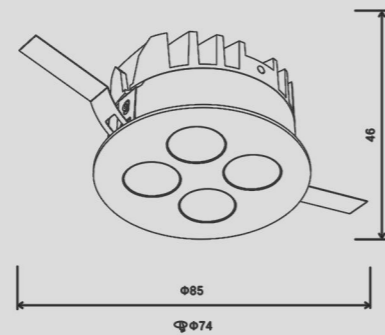
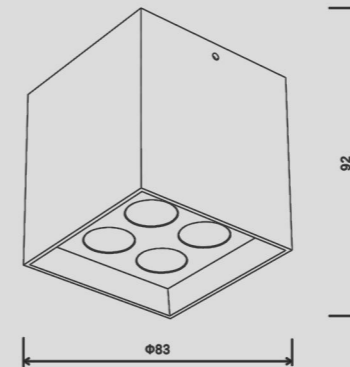
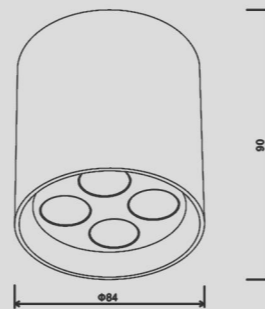
spot light

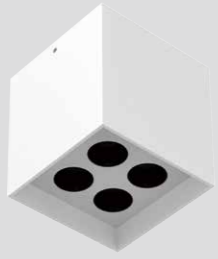
Applications:(Retail、 Hotel、 shopping mall、
Hospital、 Restaurant)

Classic Spot Lights



Line size





Adjustable recessed linear mini spot light

Adjustable recessed linear mini spot light

Features

- Easy to install
- Long lifespan
- Clean beam angle
- Flexible to highlight objects

Application



Features

- Easy to install
- Long lifespan
- Clean beam angle
- Flexible to highlight objects

Application



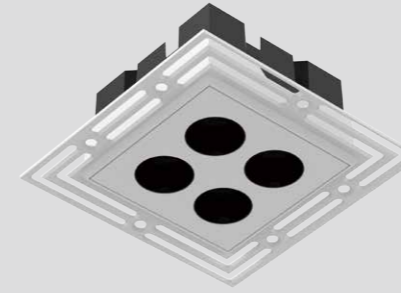
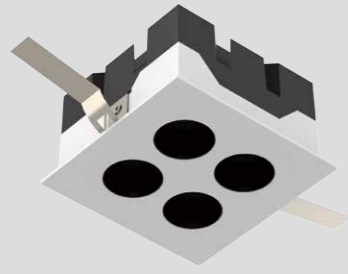
Parameter

Wattage	Driver	Input Voltage	LED source	Size
2*4W	Eaglerise/OSRAM/Tridonic	AC220-240V	Bridgelux/CREE/OSRAM	-
Beam angle	CRI	CCT	PF	Efficacy
15° /24° /36°	≥90	3000K/4000K	0.9	560m/640lm
Cut out(mm)	Body color	Reflector color	Materials	IP
-	White/Black	White/Black/Gold	Aluminium Diecasting	20

Parameter

Wattage	Driver	Input Voltage	LED source	Size
2*4W	Eaglerise/OSRAM/Tridonic	AC220-240V	Bridgelux/CREE/OSRAM	-
Beam angle	CRI	CCT	PF	Efficacy
15° /24° /36°	≥90	3000K/4000K	0.9	560m/640lm
Cut out(mm)	Body color	Reflector color	Materials	IP
-	White/Black	White/Black/Gold	Aluminium Diecasting	20





Adjustable recessed linear mini spot light

Adjustable recessed linear mini spot light

Features

- Easy to install
- Long lifespan
- Clean beam angle
- Flexible to highlight objects

Application



Features

- Easy to install
- Long lifespan
- Clean beam angle
- Flexible to highlight objects

Application



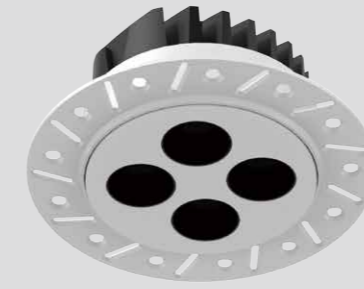
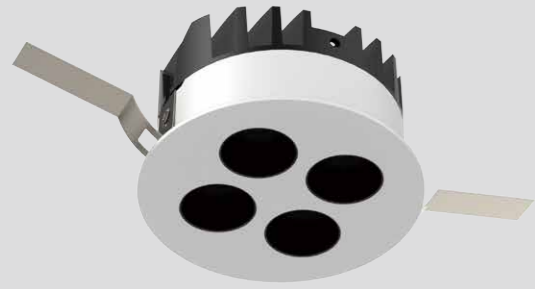
Parameter

Wattage	Driver	Input Voltage	LED source	Size
2*4W	Eaglerise/OSRAM/Tridonic	AC220-240V	Bridgelux/CREE/OSRAM	-
Beam angle	CRI	CCT	PF	Efficacy
15° /24° /36°	≥90	3000K/4000K	0.9	560m/640lm
Cut out(mm)	Body color	Reflector color	Materials	IP
-	White/Black	White/Black/Gold	Aluminium Diecasting	20

Parameter

Wattage	Driver	Input Voltage	LED source	Size
2*4W	Eaglerise/OSRAM/Tridonic	AC220-240V	Bridgelux/CREE/OSRAM	-
Beam angle	CRI	CCT	PF	Efficacy
15° /24° /36°	≥90	3000K/4000K	0.9	560m/640lm
Cut out(mm)	Body color	Reflector color	Materials	IP
-	White/Black	White/Black/Gold	Aluminium Diecasting	20





Adjustable recessed linear mini spot light

Adjustable recessed linear mini spot light

Features

- Easy to install
- Long lifespan
- Clean beam angle
- Flexible to highlight objects

Application



Features

- Easy to install
- Long lifespan
- Clean beam angle
- Flexible to highlight objects

Application



Parameter

Wattage	Driver	Input Voltage	LED source	Size
2*4W	Eaglerise/OSRAM/Tridonic	AC220-240V	Bridgelux/CREE/OSRAM	-
Beam angle	CRI	CCT	PF	Efficacy
15° /24° /36°	≥90	3000K/4000K	0.9	560m/640lm
Cut out(mm)	Body color	Reflector color	Materials	IP
-	White/Black	White/Black/Gold	Alumnum Diecastiong	20

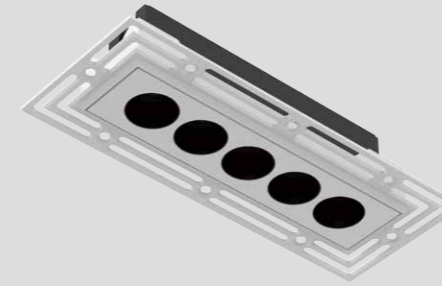
Parameter

Wattage	Driver	Input Voltage	LED source	Size
2*4W	Eaglerise/OSRAM/Tridonic	AC220-240V	Bridgelux/CREE/OSRAM	-
Beam angle	CRI	CCT	PF	Efficacy
15° /24° /36°	≥90	3000K/4000K	0.9	560m/640lm
Cut out(mm)	Body color	Reflector color	Materials	IP
-	White/Black	White/Black/Gold	Alumnum Diecastiong	20





Adjustable recessed linear mini spot light



Adjustable recessed linear mini spot light

Features

- Easy to install
- Long lifespan
- Clean beam angle
- Flexible to highlight objects

Application



Features

- Easy to install
- Long lifespan
- Clean beam angle
- Flexible to highlight objects

Application



Parameter

Wattage	Driver	Input Voltage	LED source	Size
2*4W	Eaglerise/OSRAM/Tridonic	AC220-240V	Bridgelux/CREE/OSRAM	-
Beam angle	CRI	CCT	PF	Efficacy
15° /24° /36°	≥90	3000K/4000K	0.9	560m/640lm
Cut out(mm)	Body color	Reflector color	Materials	IP
-	White/Black	White/Black/Gold	Aluminium Diecasting	20

Parameter

Wattage	Driver	Input Voltage	LED source	Size
2*4W	Eaglerise/OSRAM/Tridonic	AC220-240V	Bridgelux/CREE/OSRAM	-
Beam angle	CRI	CCT	PF	Efficacy
15° /24° /36°	≥90	3000K/4000K	0.9	560m/640lm
Cut out(mm)	Body color	Reflector color	Materials	IP
-	White/Black	White/Black/Gold	Aluminium Diecasting	20





● DOB TRACK SPOT LIGHTS

Emilux®



• NEW ALUMINA FINISHES





酿 WINE

饮用水

常温牛奶

休闲食品

饮用水

纯牛奶
100% PURE MILK
COW MILK

纯牛奶
100% PURE MILK
COW MILK

纯牛奶
100% PURE MILK
COW MILK

Kellogg's
Nesle's
Nesle's
Nesle's
Nesle's
Nesle's

Global Series



Model

ET1001

ET1002

ET1003

ET1004

Body

Aluminium diecasting

LED sources

Bridgelux

Optic

Lens.

Narrow, medium and wide beam angle available.

Driver

Lifud/eaglerise

Applications

Its unique pull-down mechanism, enables it to function as

either a downlight or a exposed lamp able to emulate a

surface or track fixture.

Application areas: retail, hotels, museums, window displays.

CRI	CCT	LED power	Nominal Lumen	Beam Angle
90	3000K/4000K/5000K	10W	90LM/W	15°/24°/38°
90	3000K/4000K/5000K	20W	90LM/W	15°/24°/38°
90	3000K/4000K/5000K	30W	90LM/W	15°/24°/38°
90	3000K/4000K/5000K	40W	90LM/W	15°/24°/38°

Driver Options

- D0 No Dim
- DA Dali Dim
- DC CASAMBI
- D1 0-10V Dim

Finish

- Black
- White
- Gold



Global Series



φ 67*165



φ 80*195



φ 95*143

Model:

ET1005

ET1006

ET1007

LED sources

Sanan

Optic

Lens.

Narrow, medium and wide beam angle available.

Body

Aluminium diecasting

Driver

PHILIPS

Applications

Its unique pull-down mechanism, enables it to function as either a downlight or a exposed lamp able to emulate a surface or track fixture.

Application areas: retail, hotels, museums, window displays.

CRI

≥90

≥90

≥90

CCT

3000K/4000K/5000k

3000K/4000K/5000k

3000K/4000K/5000k

LED power

20W

30W

40W

Nominal Lumen

90LM/W

90LM/W

90LM/W

Beam Angle

15/24/38degrees

15/24/38degrees

15/24/38degrees

Driver Options

D0 No Dim

DA Dali Dim

DC CASAMBI

D1 0-10V Dim

Finish

Bright black/white

Matt black/silver

White



CREE HONOURTEK

Global Series



Model:

ET1005

ET1006

ET1007

LED sources

Bridgelux

Optic

Lens.

Narrow, medium and wide beam angle available.

Body

Aluminium diecasting

Driver

PHILIPS

Applications

Its unique pull-down mechanism, enables it to function as either a downlight or a exposed lamp able to emulate a surface or track fixture.

Application areas: retail, hotels, museums, window displays.

CRI

≥90

CCT

3000K/4000K/5000k

LED power

20W/30W/40W

Nominal Lumen

90LM/W

Beam Angle

15°/24°/38°

IP Rating

IP20

Input Voltage(V)

AC100-240V/50-60Hz

Driver Options

D0 No Dim

DA Dali Dim

DC CASAMBI

D1 0-10V Dim

Finish

Bright black/white

Matt black/silver

White



CREE HONOURTEK

Global Series



External dip switch CCT function



A



B



C

Adapter



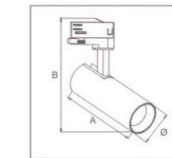
1-phase (2 wires) 1-phase (3 wires) 3-phase (4 wires)

Accessory



Black White Gold Honey comb

MATERIAL:ALUMINUM DIE-CAST+PC ROTATES:350° SPOT HEAD ADJUST:90°
AVAILABLE COLOR: WHITE/BLACK



Model:

ET1011

ET1012

ET1013

ET1014

Body

Aluminium diecasting

LED sources

Bridgelux

Optic

Lens.

Narrow, medium and wide beam angle available.

Driver

PHILIPS

Applications

Its unique pull-down mechanism, enables it to function as either a downlight or a exposed lamp able to emulate a surface or track fixture.

Application areas: retail, hotels, museums, window displays.

CRI

≥90

CCT

3000K/4000K/5000k

LED power

10W/20W/30W/40W

Nominal Lumen

90LM/W

Beam Angle

15°/24°/38°/45°/60°

IP Rating

IP20

Input Voltage(V)

AC100-240V/50-60Hz

Driver Options

D0 No Dim

DA Dali Dim

DC CASAMBI

D1 0-10V Dim

Finish

Bright black/white

Matt black/silver

White



CREE HONOURTEK

Global Series



Model:

ET1015

ET1016

ET1017

ET1018

LED sources

Bridgelux

Optic

Lens.

Narrow, medium and wide beam angle available.

Body

Aluminium diecasting

Driver

PHILIPS

Applications

Its unique pull-down mechanism, enables it to function as either a downlight or a exposed lamp able to emulate a surface or track fixture.

Application areas: retail, hotels, museums, window displays.

CRI

≥90

CCT

3000K/4000K/5000k

LED power

10W/20W/30W/40W

Nominal Lumen

90LM/W

Beam Angle

15°/24°/38°/45°/60°

Size

φ45*120

φ55*140

φ65*160

φ75*180

Driver Options

D0 No Dim

DA Dali Dim

DC CASAMBI

D1 0-10V Dim

Finish

Bright black/white

Matt black/silver

White



CREE HONOURTEK

Global Series



Model:

ET1019

ET1020

LED sources

Bridgelux

Optic

Lens.

Narrow, medium and wide beam angle available.

Body

Aluminium diecasting

Driver

PHILIPS

Applications

Its unique pull-down mechanism, enables it to function as either a downlight or a exposed lamp able to emulate a surface or track fixture.

Application areas: retail, hotels, museums, window displays.

CRI

≥90

≥90

CCT

3000K/4000K/5000k

3000K/4000K/5000k

LED power

42W

50W

Nominal Lumen

100LM/W

115LM/W

Beam Angle

15°/24°/38°/45°/60°

15°/24°/38°/45°/60°

Size

φ95*194

Driver Options

D0 No Dim

DA Dali Dim

DC CASAMBI

D1 0-10V Dim

Finish

Bright black/white

Matt black/silver

White



CREE HONOURTEK

Global Series



φ 73*145

φ 80*145

Model:

ET1021

ET1022

LED sources

Sanan

Optic

Lens.

Narrow, medium and wide beam angle available.

Body

Aluminium diecasting

Driver

PHILIPS

Applications

Its unique pull-down mechanism, enables it to function as either a downlight or a exposed lamp able to emulate a surface or track fixture.

Application areas: retail, hotels, museums, window displays.

CRI

≥90

≥90

CCT

3000K/4000K/5000k

3000K/4000K/5000k

LED power

30W

35W

Nominal Lumen

130LM/W

130LM/W

Beam Angle

15/24/38degrees

15/24/38degrees

IP Rating

IP20

Driver Options

D0 No Dim

DA Dali Dim

DC CASAMBI

D1 0-10V Dim

Finish

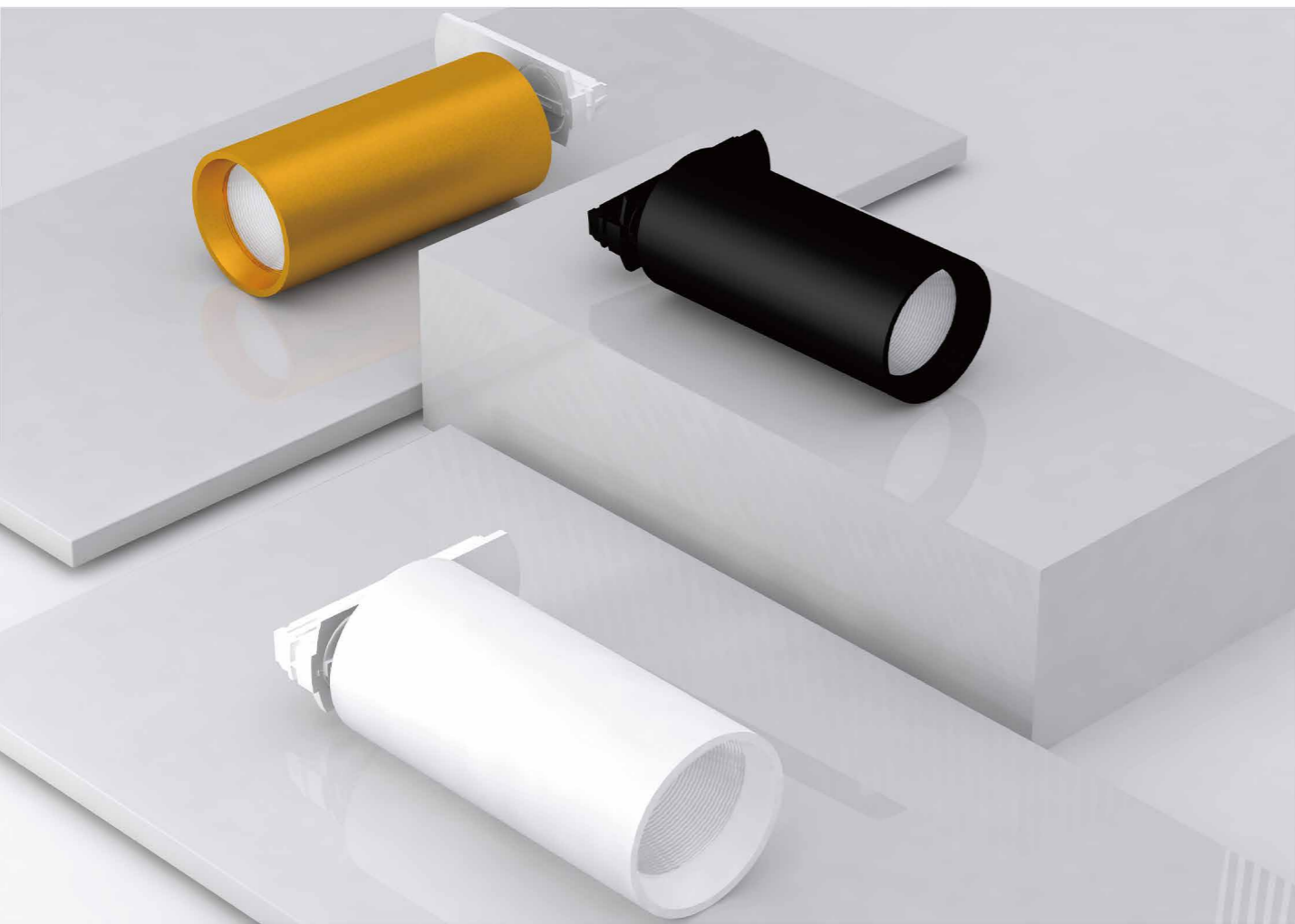
Bright black/white

Matt black/silver

White



CREE HONOURTEK



DOB TRACK SPOT LIGHT(Ceiling)

01 Free movement and flexible lighting

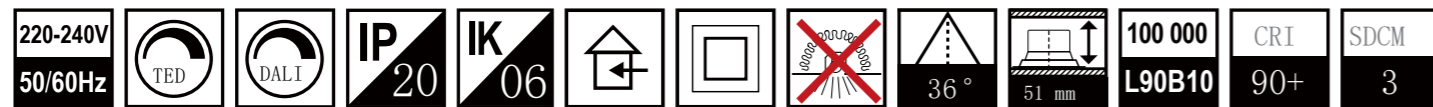
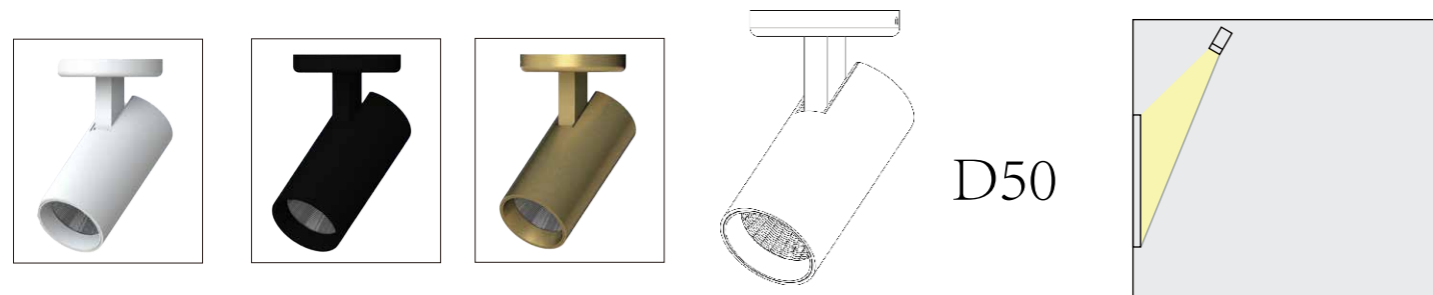
It can move the position of the lamp head, flexibly illuminate and adjust the light source density.

02 Flexible adjustment of shooting effect

It can change the direction of light and create rich light effects.

03 Accidental response of different lamp types

Different types of track lights are applicable to different spaces with different storey heights, and the overall effect of matching spaces



Wattage	Driver	Efficacy	CRI	CCT	Input Voltage	Cut out	LED Source	Size	Beam Angle
8W	OSRAM	80lm/W	≥90	3000K 4000K	AC220-240v	φ50mm	Bridgelux/CREE /OSRAM	φ135*50mm	38°
12W	OSRAM	80lm/W	≥90	3000K 4000K	AC220-240v	φ50mm	Bridgelux/CREE /OSRAM	φ160*50mm	38°
15W	OSRAM	80lm/W	≥90	3000K 4000K	AC220-240v	φ50mm	Bridgelux/CREE /OSRAM	φ163*60mm	38°



DOB

TRACK SPOT LIGHT(embed)

01 Free movement and flexible lighting

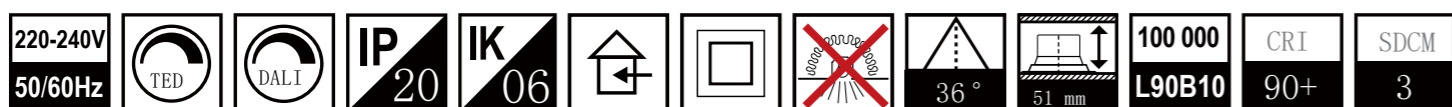
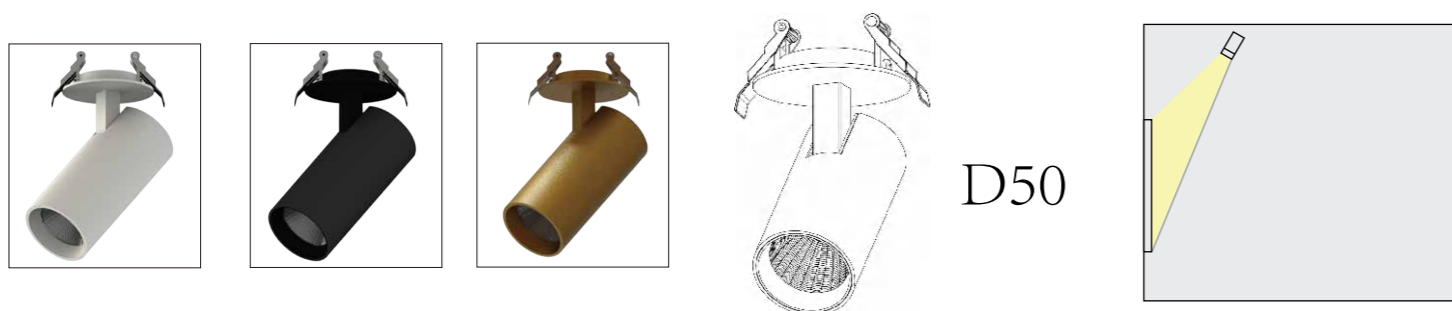
It can move the position of the lamp head, flexibly illuminate and adjust the light source density.

02 Flexible adjustment of shooting effect

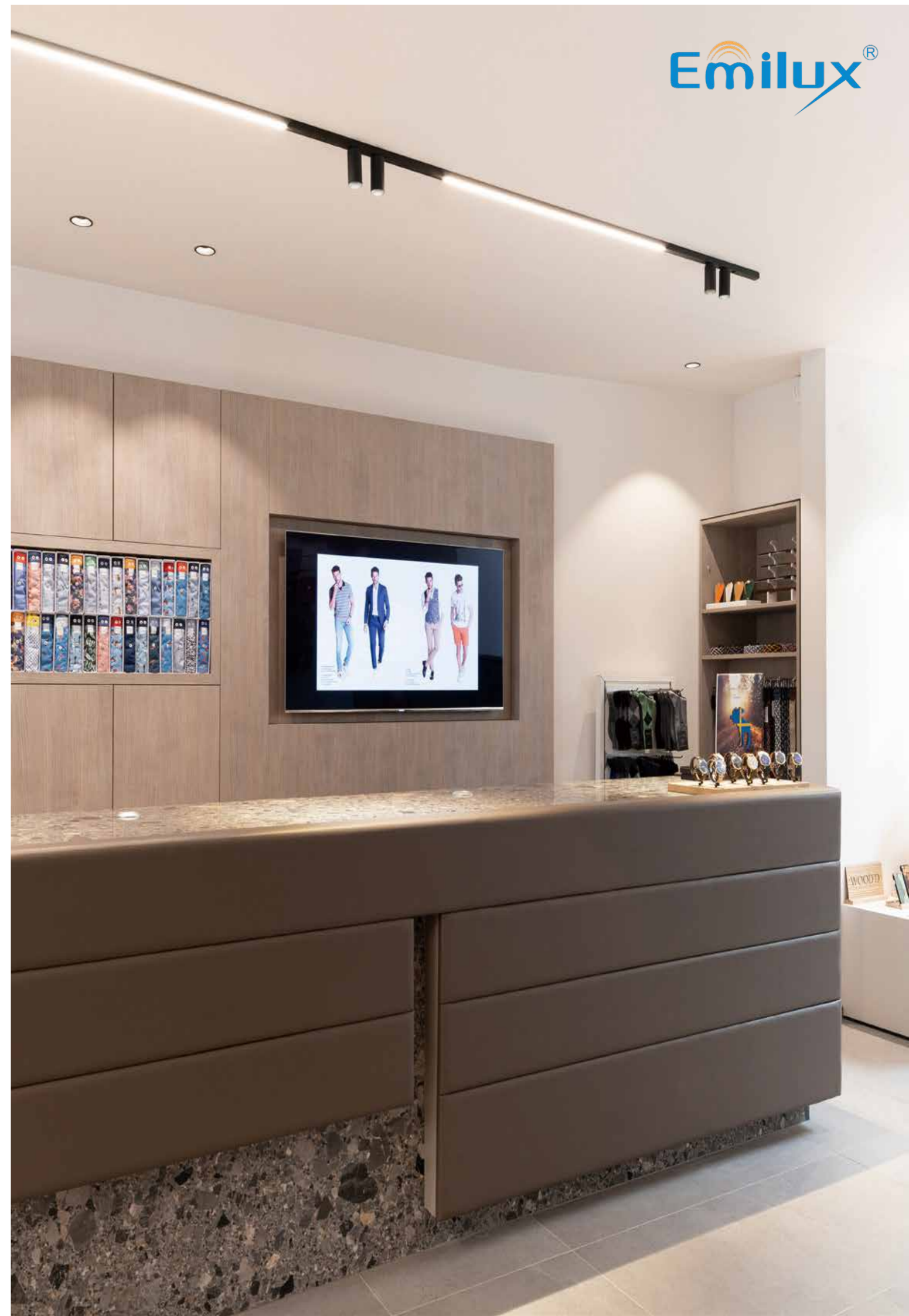
It can change the direction of light and create rich light effects.

03 Accidental response of different lamp types

Different types of track lights are applicable to different spaces with different storey heights, and the overall effect of matching spaces

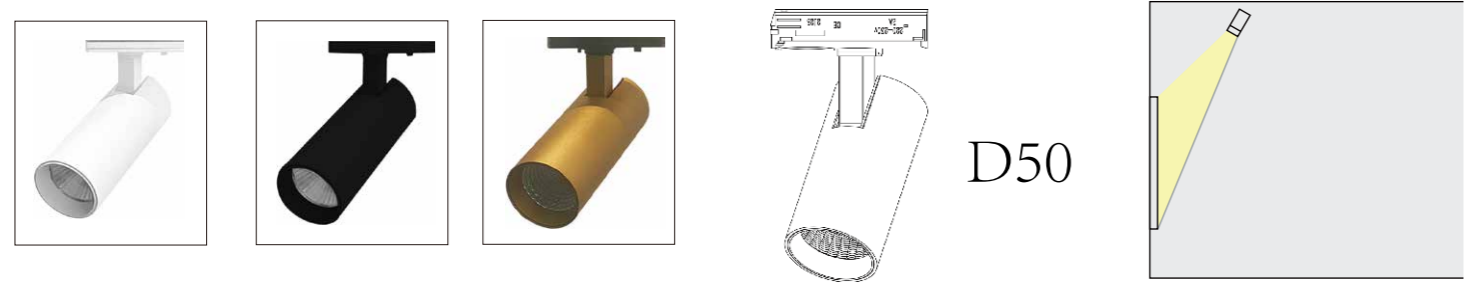


Wattage	Driver	Efficacy	CRI	CCT	Input Voltage	Cut out	LED Source	Size	Beam Angle
8W	OSRAM	80lm/W	≥90	3000K 4000K	AC220-240v	φ50mm	Bridgelux/CREE /OSRAM	φ135*50mm	38°
12W	OSRAM	80lm/W	≥90	3000K 4000K	AC220-240v	φ50mm	Bridgelux/CREE /OSRAM	φ160*50mm	38°
15W	OSRAM	80lm/W	≥90	3000K 4000K	AC220-240v	φ50mm	Bridgelux/CREE /OSRAM	φ163*60mm	38°



DOB TRACK SPOT LIGHT(one phase)

- 01 Free movement and flexible lighting
It can move the position of the lamp head, flexibly illuminate and adjust the light source density.
- 02 Flexible adjustment of shooting effect
It can change the direction of light and create rich light effects.
- 03 Accidental response of different lamp types
Different types of track lights are applicable to different spaces with different storey heights, and the overall effect of matching spaces



220-240V 50/60Hz	TED	DALI	IP 20	IK 06	House icon	Room icon	No flicker icon	36°	51 mm	100 000 L90B10	CRI 90+	SDCM 3
---------------------	-----	------	-------	-------	------------	-----------	-----------------	-----	-------	-------------------	---------	--------

Wattage	Driver	Efficacy	CRI	CCT	Input Voltage	Cut out	LED Source	Size	Beam Angle
8W	OSRAM	80lm/W	≥90	3000K 4000K	AC220-240v	φ50mm	Bridgelux/CREE /OSRAM	φ135*50mm	38°
12W	OSRAM	80lm/W	≥90	3000K 4000K	AC220-240v	φ50mm	Bridgelux/CREE /OSRAM	φ160*50mm	38°
15W	OSRAM	80lm/W	≥90	3000K 4000K	AC220-240v	φ50mm	Bridgelux/CREE /OSRAM	φ163*60mm	38°



4 Wires 3 Phase TRACK SPOT LIGHTS 130LM/W

01 Free movement and flexible lighting

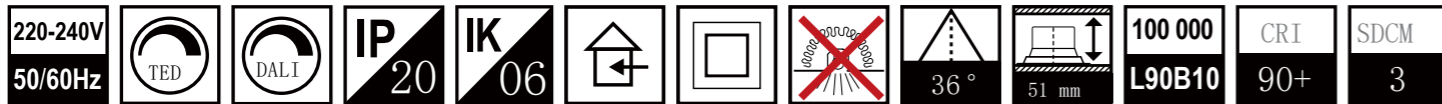
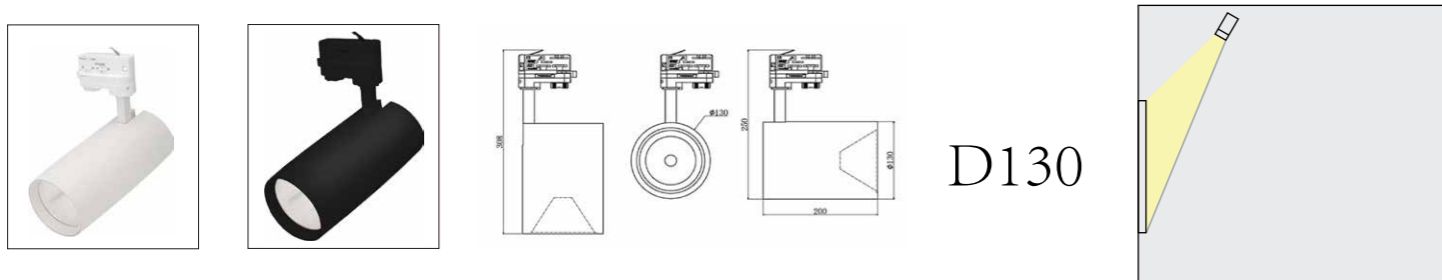
It can move the position of the lamp head, flexibly illuminate and adjust the light source density.

02 Flexible adjustment of shooting effect

It can change the direction of light and create rich light effects.

03 Accidental response of different lamp types

Different types of track lights are applicable to different spaces with different storey heights, and the overall effect of matching spaces



Wattage	Driver	Efficacy	CRI	CCT	Input Voltage	Cut out	LED Source	Size	Beam Angle
40W	OSRAM	130lm/W	≥90	3000K 4000K	AC220-240v	φ130mm	Bridgelux/CREE /OSRAM	φ135*50mm	15°/24°38°/60°
65W	OSRAM	130lm/W	≥90	3000K 4000K	AC220-240v	φ130mm	Bridgelux/CREE /OSRAM	φ135*50mm	15°/24°38°/60°



Global Series



Model:

ET1022

ET1023

LED sources

Bridgelux

Optic

Lens.

Narrow, medium and wide beam angle available.

Body

Aluminium diecasting

Driver

PHILIPS

Applications

Its unique pull-down mechanism, enables it to function as either a downlight or a exposed lamp able to emulate a surface or track fixture.

Application areas: retail, hotels, museums, window displays.

CRI

≥90

CCT

3000K/4000K/5000k

LED power

30W

Nominal Lumen

130LM/W

Beam Angle

15/23/38°

IP Rating

IP20

Input Voltage(V)

AC100-240V/50-60Hz

Driver Options

D0 No Dim

DA Dali Dim

DC CASAMBI

D1 0-10V Dim

Finish

Bright black/white

Matt black/silver

White



CREE HONOURTEK



